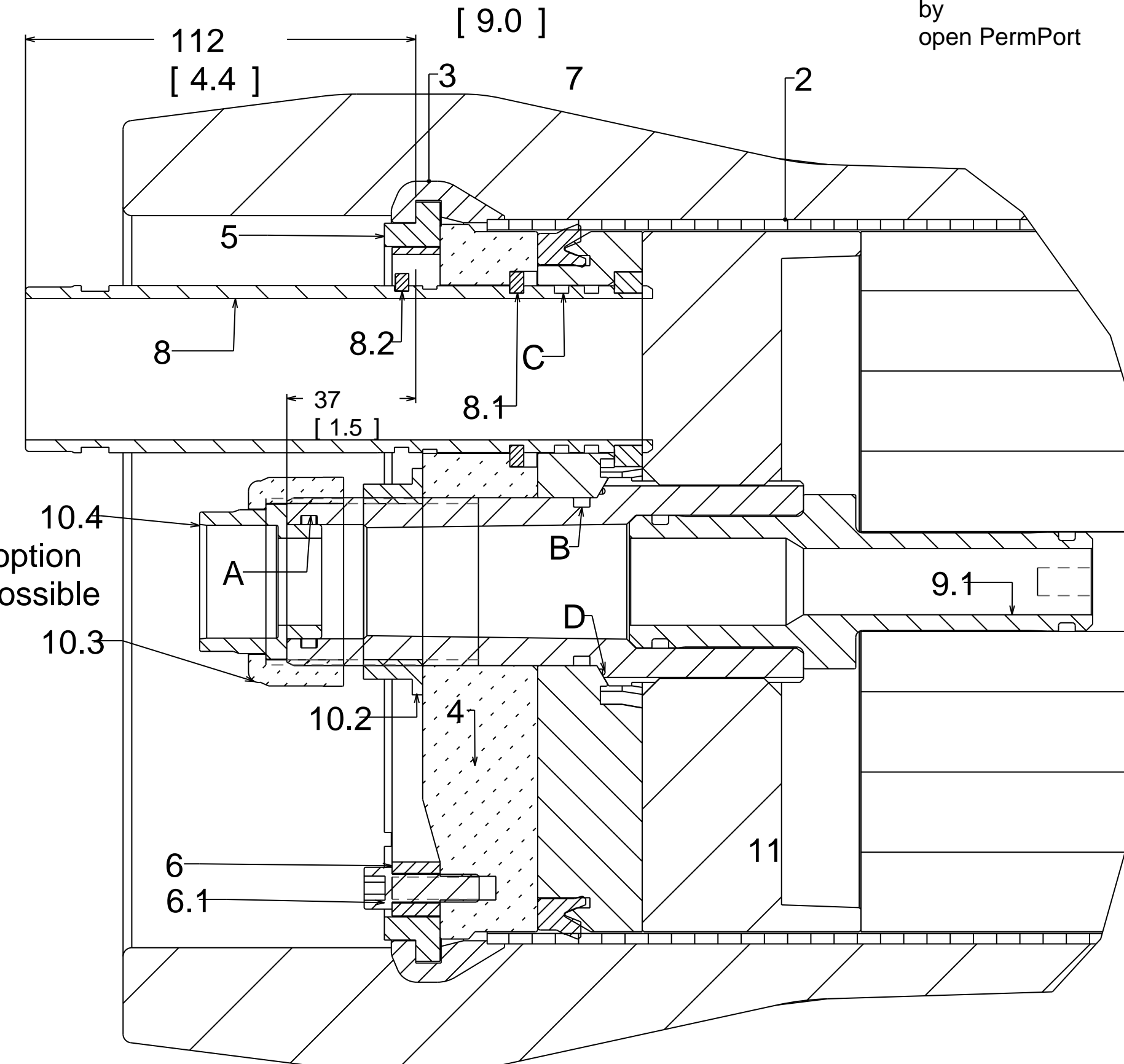
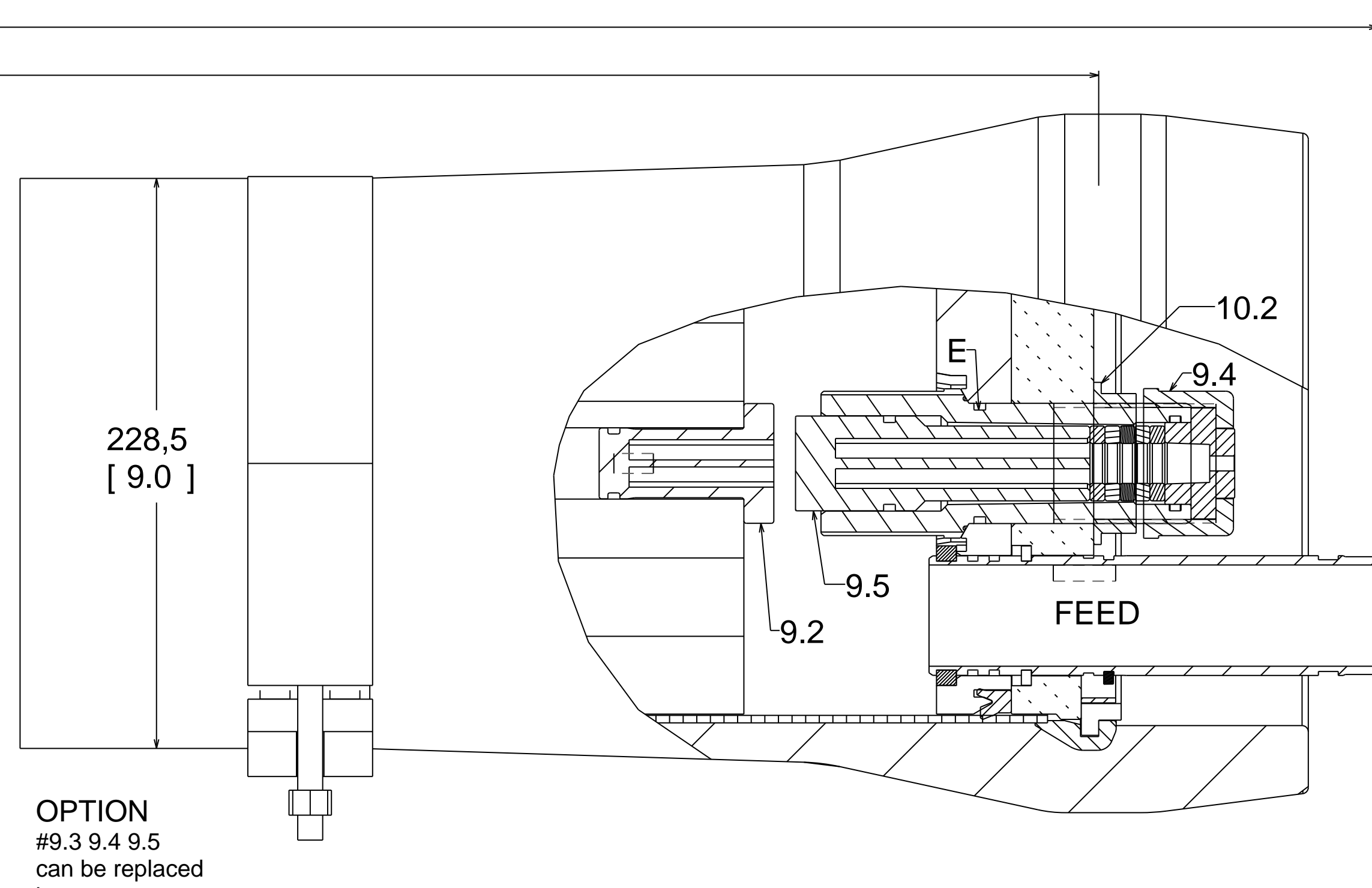
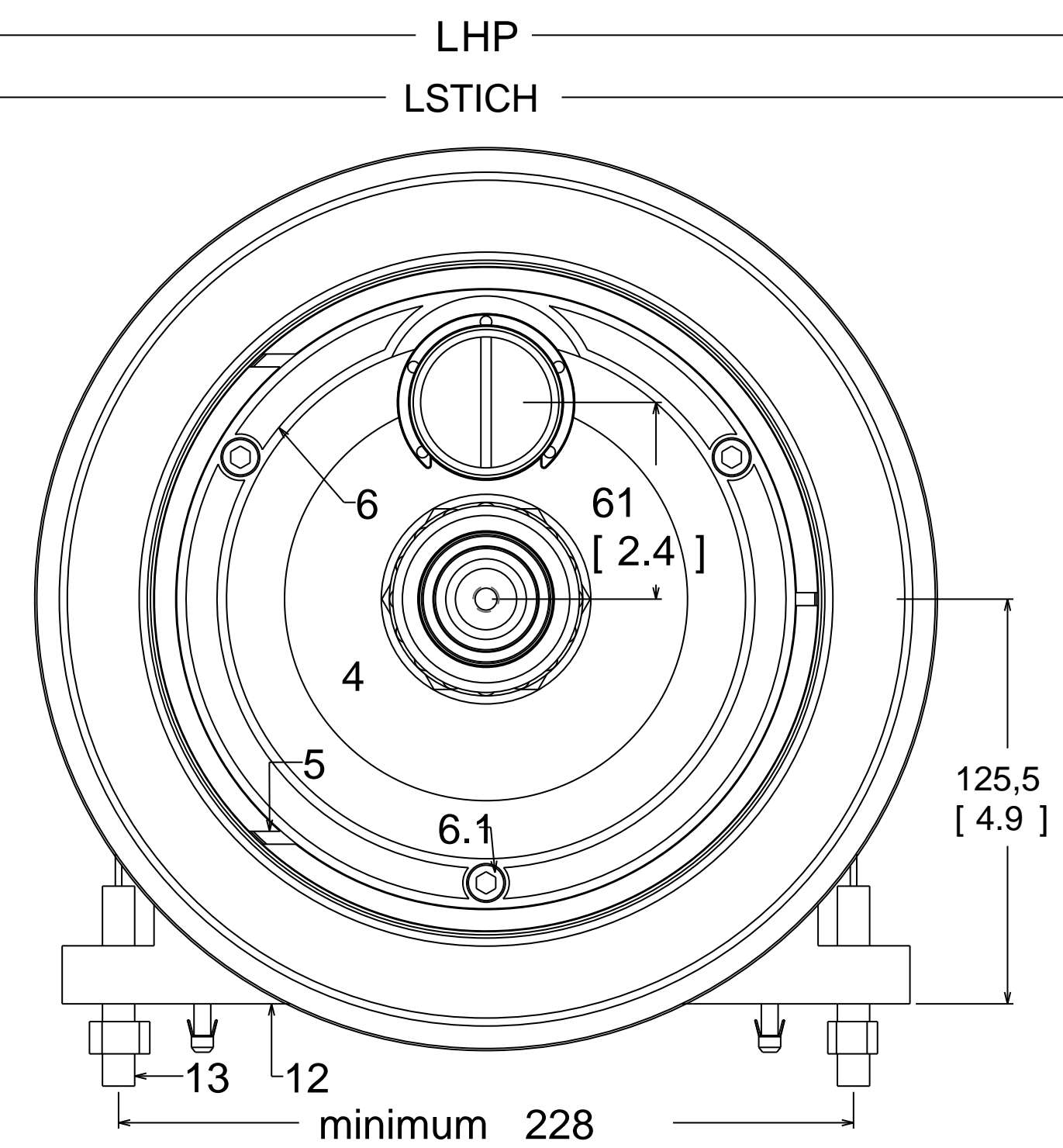


SECTION X-X



OPTION
#9.3 9.4 9.5
can be replaced
by
open PermPort

REF	PART NAME	PART #	MATERIAL
1	Shell		FRP
2	Liner		PVC
3	Grooving		SS**
HEAD			
4.1	Frontplate	78FPSW	ALU
4.2	Sealing Plate	78BPL/V2	PPE
5	Retaining Ring Endplate	68SEC	ALU/SS**
6	Locking Ring	68SECLOCK	PA
6.1	Screws for Locking Ring	58SCR8/25	316TI
7	Lip Ring	58LIP	EPDM
PORTS			
8	HP-PORT	78HPSW	Superduplex
8.1	Retaining Ring for HP-Port	78HPSEC/SW	316
10.1	Permeate Port Body	78PP/B2	PPE
10.2	NUT 1.5inch	58BUT15Z	PA
10.3	PP Adapter NUT	58PP/S15	PVC
10.4	PP Adapter	78UN/Exx	PVC
ELEMENT INTERFACE			
9.1	Element Adapter open	78ADxx	PPE
9.2	Element Adapter closed	78ADxx/C	PPE
9.4	Retaining Nut	78PP/S15AL	AL
9.5	Chiming mechanism	18PP/CH/V2SW	PVC/TPE
SUPPORT			
11	Element Spacer	78SPACER/FP	PPE
12	Saddle	58SADDLE	PA
13	STRAP	58STRAP	304/316TI

O-Rings / Endplate			
A	O-Ring 32.92x3.5	1	EPDM
B	O-Ring 41.28x3.5	1	EPDM
C	O-Ring 42x3	2	EPDM
D	O-Ring 49.3x1.8	1	EPDM
E	O-Ring 32.92x3.5	1	EPDM

Saddles and straps are options and not included in vessel supply

Dimensions SERIES 8 inch FRONT ENTRY							
Elem.	Vessel #	L-Stich [mm]	L-Stich [inch]	L-HP [mm]	L-HP [inch]	Tol L-Stich [mm]---[inch]	
6x40	RO8Z6M40-V2p-76	6366	250.63	6590	259.45	-3/+6 (0.12/0.24)	
7x40	RO8Z7M40-V2p-76	7382	290.63	7605	299.45	-3/+6 (0.12/0.24)	

We recommend:
1 to 4 elements 2saddles and 2 straps
5 to 7 elements 3saddles and 2 straps

Vessels for 60inch elements are available

Dimensions are in mm
Valus in brackets [] are in inch

Important Note:
Dimensions may be subject to be changed.
Drawing not to be used for construction unless certified

LENNTECH
info@lennotech.com Tel. +31-152-610-900
www.lennotech.com Fax. +31-152-616-289

Max: Working Pressure (bar/PSI)	76/1086
Max: Working Temp. (°C / °F)	65 /150
Min: Working Temp. (°C / °F)	2 /36
Max Test Pressure (bar/PSI)	98 /1412

1086PSI		AnyChem™ Pressure Vessels by Knappe Composites	
Eng.Mgr. SIG:	Q.Ass.Mgr. SIG:	DATUM: 12.11.07	REV: 1
		10.12.07	1a
SERIES V2s Seawater 8 inch -- FRONT ENTRY			
Name	RO8ZxM40-V2p-76/R1	Scale:none	