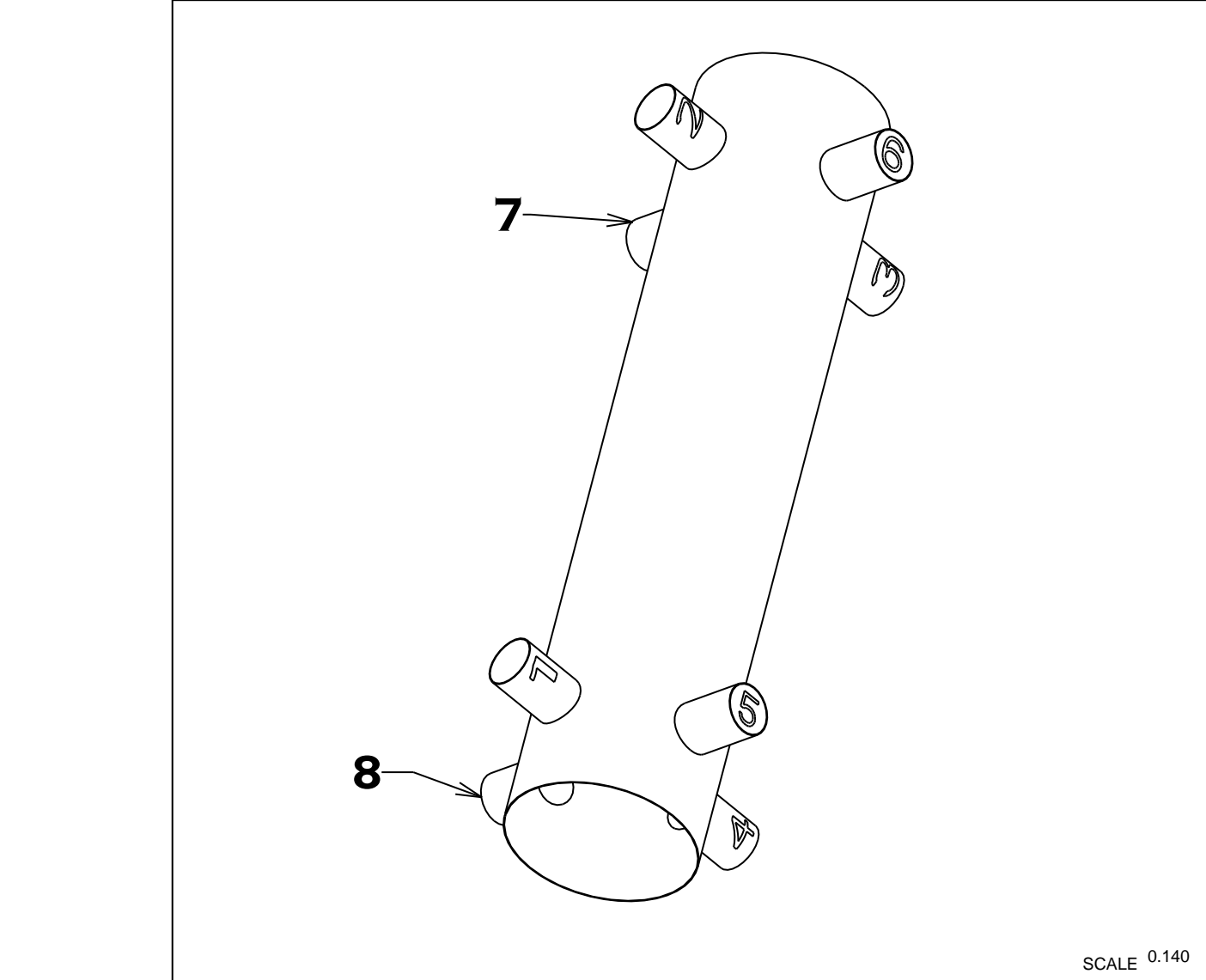


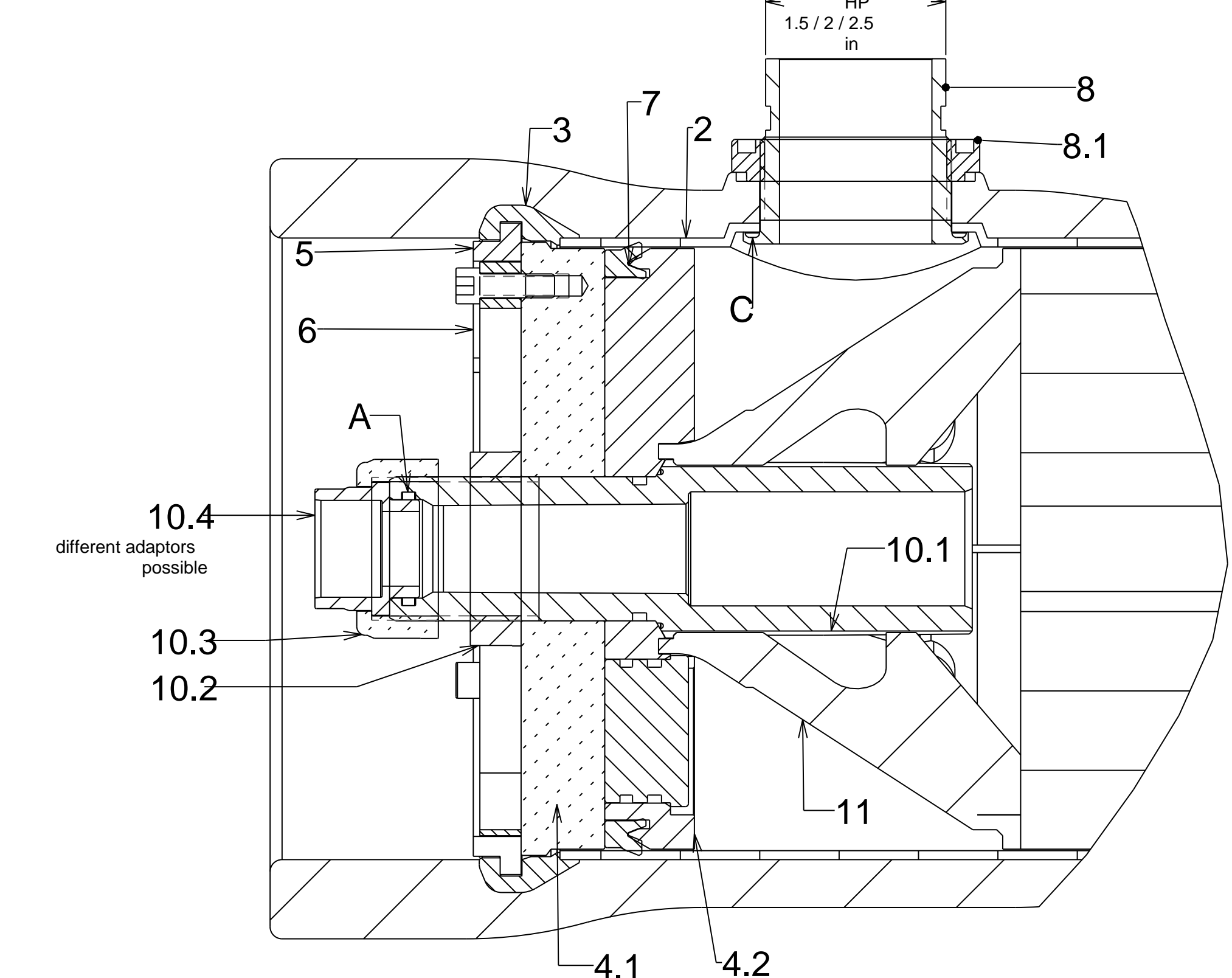
Nozzle Orientation

Sideport Size 1.5in ---> SP8ZxM40-S1p-42-	<input type="checkbox"/>	<input type="checkbox"/>	<input type="checkbox"/>	<input type="checkbox"/>
Sideport Size 2.0in ---> SP8ZxM40-S2p-42-	<input type="checkbox"/>	<input type="checkbox"/>	<input type="checkbox"/>	<input type="checkbox"/>
Sideport Size 2.5in ---> SP8ZxM40-S5p-42-	<input type="checkbox"/>	<input type="checkbox"/>	<input type="checkbox"/>	<input type="checkbox"/>



Dimensions SERIES 8 inch SIDEPORT Series3

ELEM.	Vessel Type	L-Stich	L-HP	Tol +/-
1X40	SP8Z1M40-S□p-42/ □□	1381 (54.37)	1143 (45)	3/5 (0.12/0.2)
2X40	SP8Z2M40-S□p-42/ □□	2397 (94.37)	2159 (85)	3/5 (0.12/0.2)
3X40	SP8Z3M40-S□p-42/ □□	3413 (134.37)	3175 (125)	3/5 (0.12/0.2)
4X40	SP8Z4M40-S□p-42/ □□	4429 (174.37)	4191 (165)	3/5 (0.12/0.2)
5X40	SP8Z5M40-S□p-42/ □□	5445 (214.37)	5207 (205)	3/6 (0.12/0.24)
6X40	SP8Z6M40-S□p-42/ □□	6461 (254.37)	6223 (245)	3/6 (0.12/0.24)
7X40	SP8Z7M40-S□p-42/ □□	7477 (294.37)	7239 (285)	3/6 (0.12/0.24)



REF	PART NAME	PART #	MATERIAL
1	Shell		FRP
2	Liner		PVC
3	Grooving		Alu/PAGF
HEAD			
4.1	Frontplate	78FP-M-BW	PA/AL
4.2	Backplate	78BPL	PPE
5	Retaining Ring Endplate	68SEC	PAGF
6	Locking Ring	68SECLOCK	PAGF
6.1	Screws for Locking Ring	25SCR8/25	316TI
7	Lip Ring	58LIP	EPDM
PORTS			
8	HP-PORT	78HP□ S3	PPE/316L
8.1	NUT for HP-Port	78NUT□ K	PAGF
10.1	Permeate Port Body	78PP/BSP	PPE
10.2	Screw 1.5inch	78NUT15Z	PAGF
10.3	PP Adapter Screw	58PP/S15	PVC
10.4	PP Adapter	78UN/Exx	
ELEMENT INTERFACE			
9.1	Element Adapter open	78ADxx	PPE
9.2	Element Adapter closed	78ADxx/C	PPE
9.5	chiming package	18PP/CH-S3	PPE/Elasto
SUPPORT			
11	Element Spacer	78SPACER	PPE
12	Saddle	58SADDLE	PAGF
13	STRAP	58STRAP	304/316TI

We recommend:
 1 to 4 elements 2saddles and 2 straps
 5 to 7 elements 3saddles and 2 straps
 Vessels for 60inch elements are available

Dimensions are in mm
 Valus in brackets [] are in inch

Important Note:
 Dimensions may be subject to be changed.
 Drawing not to be used for construction
 unless certified

LENNTECH
 info@lenntech.com Tel. +31-152-610-900
 www.lenntech.com Fax. +31-152-616-289

Max: Working Pressure (bar/PSI)	42/600
Max: Working Temp. (°C / °F)	65 /150
Min: Working Temp. (°C / °F)	2 /36
Max Test Pressure acc. (ASME X) (bar/PSI)	54.3 /780

600 PSI **AnyChem™** Pressure Vessels
 by Knappe Composites

Eng.Mgr. SIG:	Q.Ass.Mgr. SIG:	DATUM: 21.11.07	REV: 1
		27.07.08	2

Series 3S Brackish Water Pressure Vessels 8inch
 HP-Port 1,5/2,5in

Name: SP8ZxM40-S2s-42/R2 Scale:none