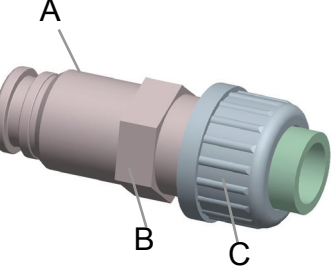
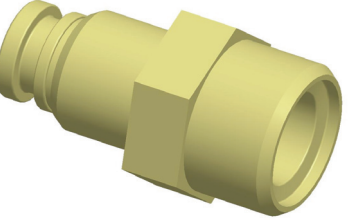
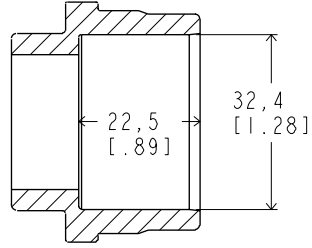

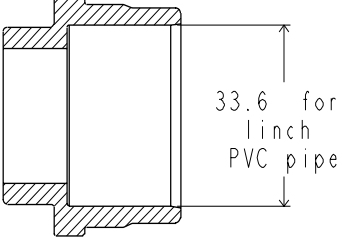

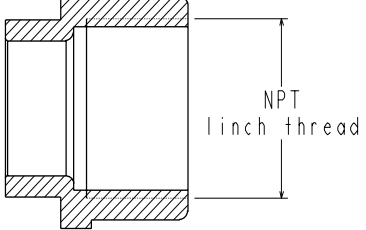

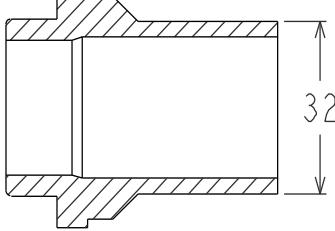

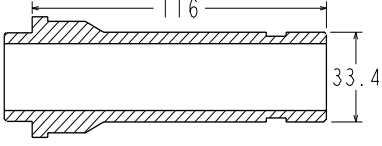

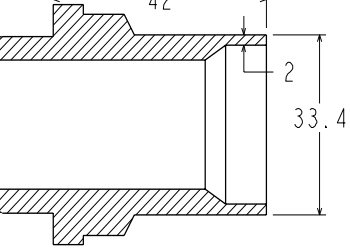

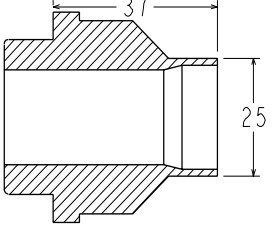



## Permeate Ports for AnyChem™ 4in membrane housings

<p><b>Article</b> : 14UN4-12/G34 G1/2in - G3/4 male adaptor</p> <p><b>Material</b> : A) Body : PVC B) 74UN/S34 : PA66 C) 74UN/e16 : PVC</p>	<p><b>max pressure</b> 16bar/230psi</p> 	
<p><b>Article</b> : 14UN4-34/G34 G3/4in - G3/4 male adaptor</p> <p><b>Material</b> : A) Body : PVC B) 74UN/S34 : PA66 C) 74UN/e16 : PVC</p>	<p><b>max pressure</b> 16bar/230psi</p> 	
<p><b>Article</b> : 74UN4-34/G34SS cylindric fitting ISO228 G3/4in male - G3/4in male adaptor</p> <p><b>Material</b> : 316L</p>	<p><b>max pressure</b> 42bar/600psi</p> 	
<p><b>Article</b> : 74UN4-34/G34F/SS cylindric fitting ISO228 G3/4in male - G3/4in female adaptor</p> <p><b>Material</b> : 316L</p>	<p><b>max pressure</b> 42bar/600psi</p> 	
<div style="text-align: center;">  <p>info@lenntech.com Tel. +31-152-610-900 www.lenntech.com Fax. +31-152-616-289</p> </div>		

## Permeate Port Adapter for *AnyChem*™ 8in membrane housings

<p><b>Article</b> : 78UN/E32I</p> <p><b>Material</b> : PVC</p>		
<p><b>Article</b> : 68PP/EUS</p> <p><b>Material</b> : PVC</p>		
<p><b>Article</b> : 68PP/ENPT 1in male NPT fitting</p> <p><b>Material</b> : PVC</p>		
<p><b>Article</b> : 68PP/E32PP for IR welding pipe OD 32mm</p> <p><b>Material</b> : PP</p>		
<p><b>Article</b> : 68PP/EGR1 for 1in grooved pipe clamp connection</p> <p><b>Material</b> : SS 316</p>		
<p><b>Article</b> : 68PP/EW33 for welding 1in pipe</p> <p><b>Material</b> : SS 316</p>		
<p><b>Article</b> : 68PP/EW25 for welding pipe OD25mm</p> <p><b>Material</b> : SS 316</p>		

Other adapters can be supplied please send us your request