

# DAB pump KDN OVERSIZE

STANDARDISED CENTRIFUGAL PUMPS

**LENNTECH**

info@lenntech.com

www.lenntech.com

Tel. +31-15-261.09.00

Fax. +31-15-261.62.89



**CONDITIONING, IRRIGATION, WATER TRANSFER,  
PRESSURIZATION, INDUSTRIAL APPLICATION**

Single-stage centrifugal pump body with axial suction port, radial discharge port and horizontal shaft components. The KDN pumps have dimensions and nominal performances according to EN 733 (10 bar) but are designed for 16 bar operation wherever the shaft seal type allows it.

The suction and discharge flanges are according to EN 7005 PN 10 or 16. All pumps are dynamically balanced according to ISO 1940 class 6.3 and impellers are hydraulically balanced. Pump and motor are mounted on a common baseplate in accordance with EN 23 661 in all-welded steel. Oversizes have profile base frames. Due to the pump design the complete bearing assembly including impeller and shaft seal can be dismantled without removing the pump body from the pipe system (back-pull-out design).

Asynchronous, closed and cooled with external ventilation, 2, 4 or 6 poles motors.

Electrical protection: in compliance with the EEC 89/336 ELECTROMAGNETIC COMPATIBILITY directive and subsequent amendments, EEC 73/23 LOW VOLTAGE directive and subsequent amendments and CEI 2-3 standards.

**Flow:** Max. 2200 m<sup>3</sup>/h.

**Head:** Max. 158 m.

**Liquid temperature:** from -25°C to +140°C.

**Operating pressure:** Max. 16 bar.

**Motor construction:** B3.

**Protection level:** IP 55.

**Insulation class:** F.

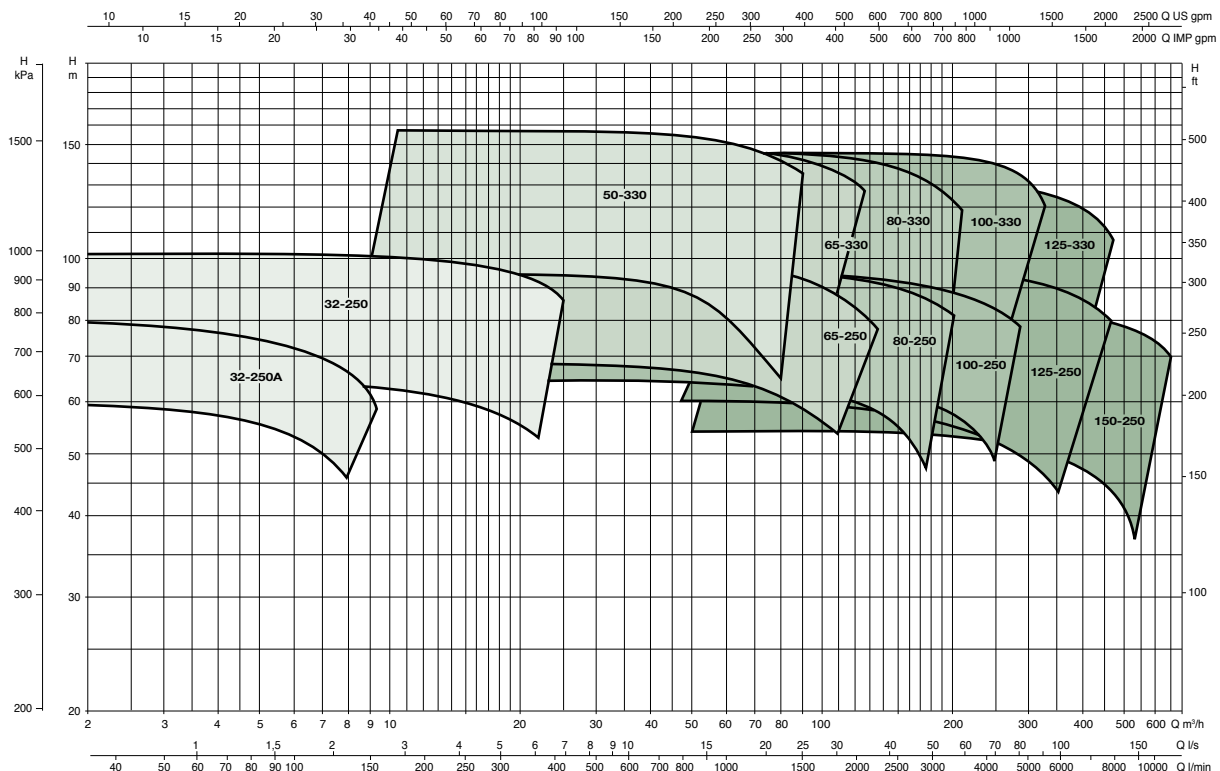
**Supply voltage:** Three-phase 230-400V 50 Hz up to 2.2 kW included 400V Δ 50 Hz over 2.2 Kw.

**Special versions on request:** other voltages and/or frequencies.



## TECHNICAL DATA - KDN $\approx 2900$ 1/min

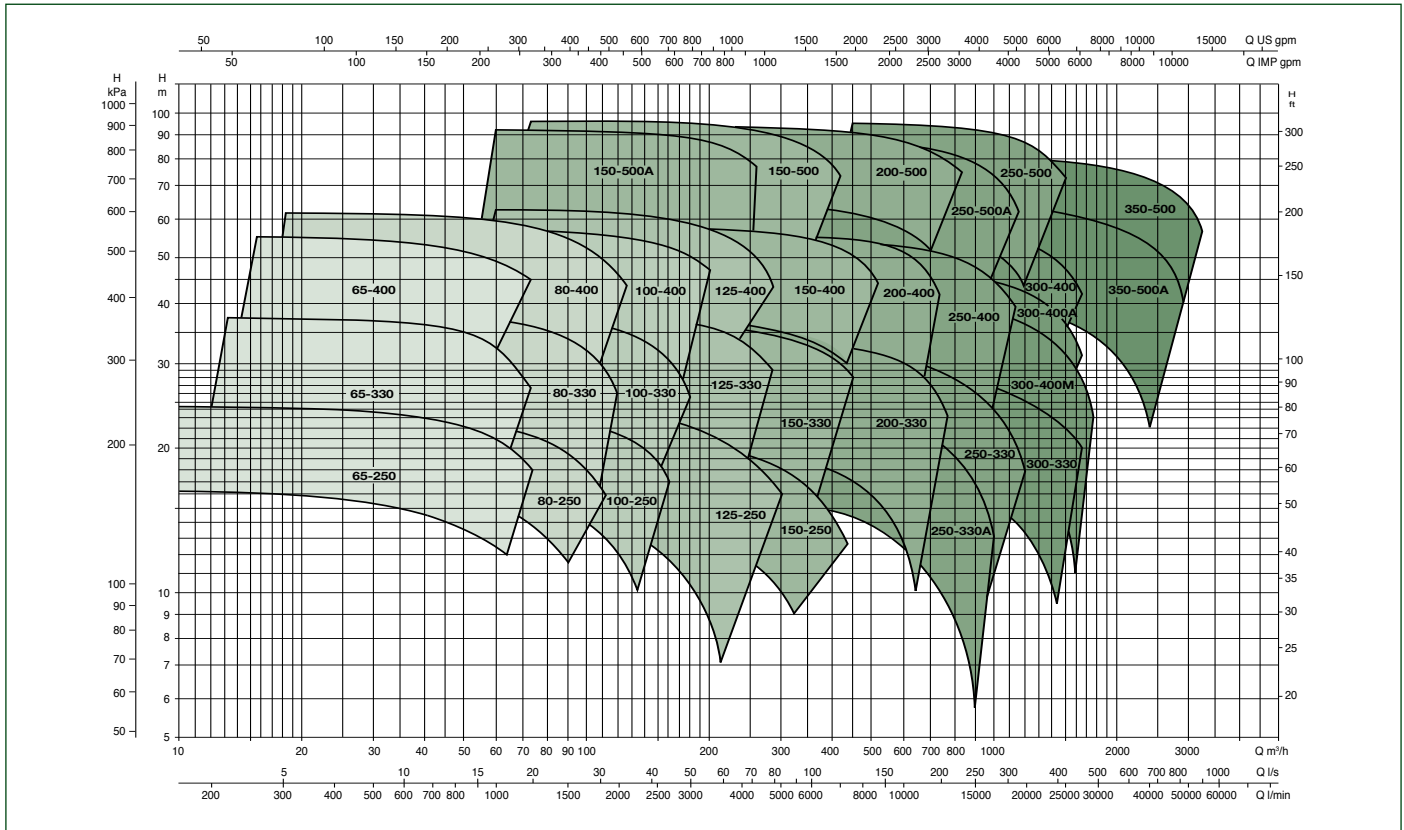
2 POLES-MOTOR



# KDN OVERSIZE STANDARDISED CENTRIFUGAL PUMPS

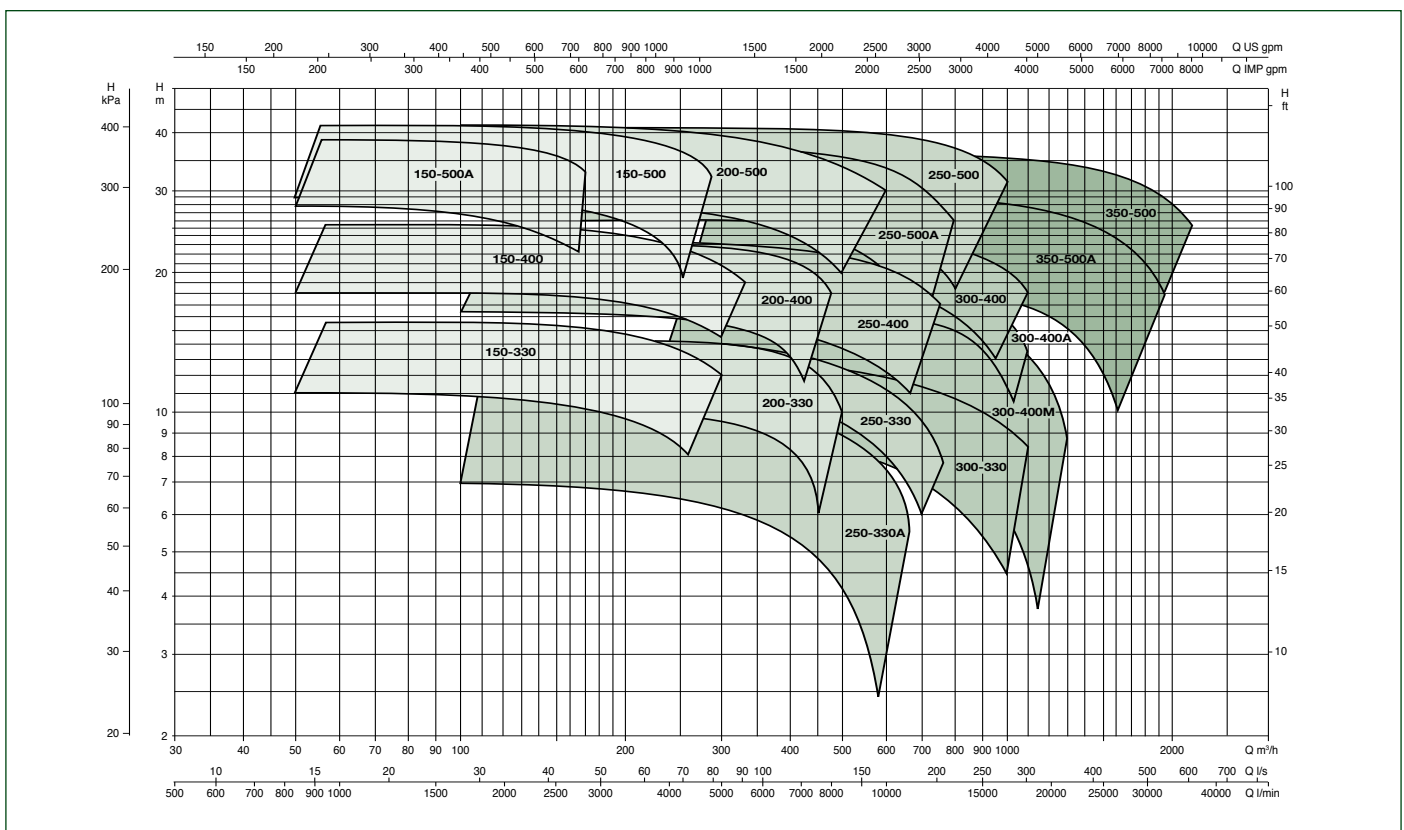
KDN  $\approx$  1450 1/min

4 POLES-MOTOR



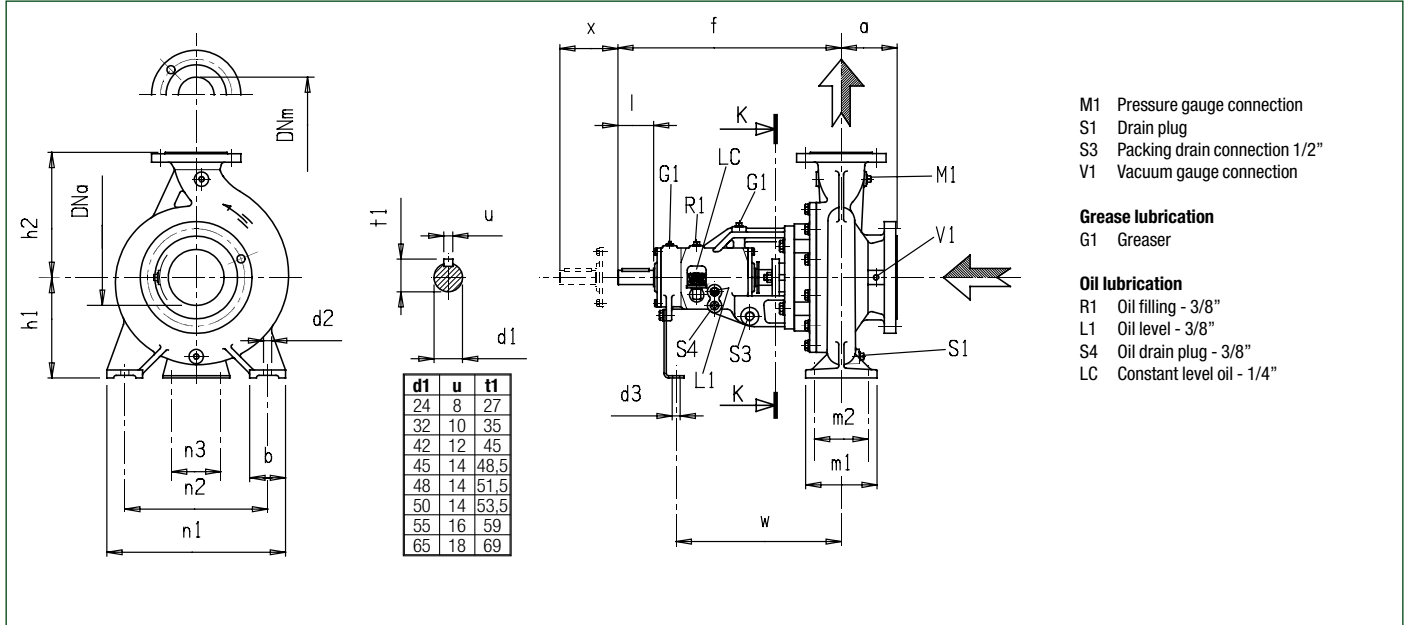
KDN  $\approx$  970 1/min

6 POLES-MOTOR



CENTRIFUGAL PUMPS

### DIMENSIONS AND WEIGHTS



- M1 Pressure gauge connection
- S1 Drain plug
- S3 Packing drain connection 1/2"
- V1 Vacuum gauge connection

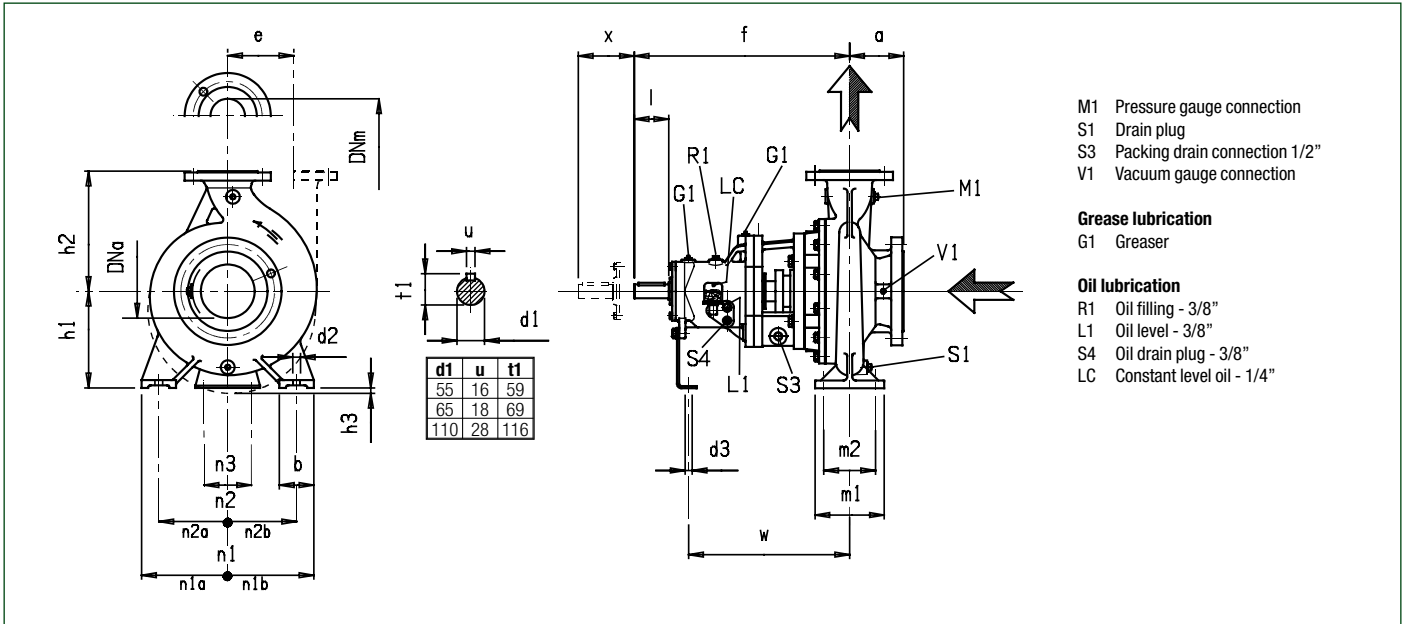
- Grease lubrication**
- G1 Greaser

- Oil lubrication**
- R1 Oil filling - 3/8"
  - L1 Oil level - 3/8"
  - S4 Oil drain plug - 3/8"
  - LC Constant level oil - 1/4"

CENTRIFUGAL PUMPS

MODEL	Supp.	DNa	DNm	a	f	h1	h2	b	m1	m2	n1	n2	d2	n3	d3	w	x	d1	l	M1	S1	V1	Kg
KDN 32-250	2	50	32	100	500	180	225	65	125	95	320	250	14	110	14	370	100	32	80	3/8"	1/4"	1/4"	78
KDN 32-250A	2	50	32	100	500	180	225	65	125	95	320	250	14	110	14	370	100	32	80	3/8"	1/4"	1/4"	78
KDN 50-330	2	80	50	125	500	225	280	65	125	95	345	280	14	110	14	370	100	32	80	3/8"	1/4"	1/4"	116
KDN 65-250	2	100	65	125	500	200	250	80	160	120	360	280	18	110	14	370	140	32	80	3/8"	1/4"	1/4"	88
KDN 65-330	3	100	65	125	530	225	280	80	160	120	400	315	18	110	14	370	140	42	110	3/8"	1/4"	1/4"	152
KDN 65-400	3	100	65	125	530	280	355	80	160	120	435	355	18	110	14	370	140	42	110	3/8"	1/4"	1/4"	180
KDN 80-250	2	125	80	125	500	225	280	80	160	120	400	315	18	110	14	370	140	32	80	3/8"	3/8"	3/8"	100
KDN 80-330	3	125	80	125	530	250	315	80	160	120	400	315	18	110	14	370	140	42	110	3/8"	3/8"	3/8"	155
KDN 80-400	3	125	80	125	530	280	355	80	160	120	435	365	18	110	14	370	140	42	110	3/8"	3/8"	3/8"	185
KDN 100-250	3	125	100	140	530	225	280	80	160	120	400	315	18	110	14	370	140	42	110	3/8"	3/8"	3/8"	130
KDN 100-330	3	125	100	140	530	250	315	80	160	120	400	315	18	110	14	370	140	42	110	3/8"	3/8"	3/8"	170
KDN 100-400	3	125	100	140	530	280	355	100	200	150	500	400	23	110	14	370	140	42	110	1/2"	3/8"	3/8"	200
KDN 125-250	3	150	125	140	530	250	355	80	160	120	400	315	18	110	14	370	140	42	110	1/2"	3/8"	3/8"	140
KDN 125-330	3	150	125	140	530	280	355	100	200	150	500	400	23	110	14	370	140	42	110	1/2"	3/8"	3/8"	190
KDN 125-400	3	150	125	140	530	315	400	100	200	150	500	400	23	110	14	370	140	42	110	1/2"	3/8"	3/8"	220
KDN 150-250	3	200	150	160	530	280	375	100	200	150	500	400	23	110	14	370	180	42	110	1/2"	1/2"	3/8"	180
KDN 150-330	4	200	150	160	670	315	400	100	200	150	550	450	22	140	18	500	180	55 1)	110	1/2"	1/2"	3/8"	255
KDN 150-400	4	200	150	160	670	315	450	100	200	150	550	450	22	140	18	500	180	55 1)	110	1/2"	1/2"	3/8"	298
KDN 150-500	4	200	150	180	670	355	500	100	200	150	550	450	22	140	18	500	180	55	110	1/2"	1/2"	3/8"	410
KDN 150-500A	4	200	150	180	670	355	500	100	200	150	550	450	22	140	18	500	180	55	110	1/2"	1/2"	3/8"	410

### DIMENSIONS AND WEIGHTS



- M1 Pressure gauge connection
- S1 Drain plug
- S3 Packing drain connection 1/2"
- V1 Vacuum gauge connection

- Grease lubrication**
- G1 Greaser

- Oil lubrication**
- R1 Oil filling - 3/8"
  - L1 Oil level - 3/8"
  - S4 Oil drain plug - 3/8"
  - LC Constant level oil - 1/4"

MODEL	Supp.	DNa	DNm	a	f	h1	h2	b	m1	m2	n1	n1a	n1b	n2	n2a	n2b	d2	n3	d3	h3	e	w	x	d1	l	M1	S1	V1	kg.
KDN 200-330	4	250	200	200	670	355	450	100	200	150	550	275	275	450	225	225	22	140	18			500	180	55	110	1/2"	1/2"	3/8"	360
KDN 200-400	4	250	200	185	670	355	500	100	200	150	550	275	275	450	225	225	22	140	18			500	180	55	110	1/2"	1/2"	3/8"	390
KDN 200-500	4	250	200	185	670	400	580	140	250	190	800	400	400	660	330	330	27	140	18	15		500	180	55	110	1/2"	1/2"	3/8"	400
KDN 250-330	4	300	250	250	670	400	525	140	250	190	700	350	350	560	280	280	27	140	18			500	240	55	110	1/2"	1/2"	3/8"	410
KDN 250-400	5	300	250	225	780	400	600	125	250	190	690	345	345	560	280	280	27	140	18			545	180	65	140	1/2"	1/2"	3/8"	650
KDN 250-500	5	300	250	300	800	500	500	130	260	190	830	380	450	710	320	390	27	140	18		425	565	250	65	140	1/2"	1/2"	3/8"	700
KDN 250-500A	5	300	250	300	800	500	500	130	260	190	830	380	450	710	320	390	27	140	18		425	565	250	65	140	1/2"	1/2"	3/8"	700
KDN 300-330	4	350	300	300	720	500	670	150	360	280	900	450	450	750	375	375	27	140	18			550	240	55	110	1/2"	1/2"	3/8"	780
KDN 300-400	5	350	300	325	790	400	640	125	250	190	690	345	345	560	280	280	27	140	18			555	240	65	140	1/2"	1/2"	3/8"	800
KDN 300-400A	5	350	300	325	790	400	640	125	250	190	690	345	345	560	280	280	27	140	18			555	240	65	140	1/2"	1/2"	3/8"	800
KDN 300-400M	5	350	300	300	845	500	670	150	360	280	900	450	450	750	375	375	27	140	18			610	240	65	140	1/2"	1/2"	3/8"	900
KDN 350-500	6	400	350	380	1150	600	600	150	400	300	1000	450	550	850	375	475	27	140	18		450	800	380	110	210	1/2"	1/2"	3/8"	1080
KDN 350-500A	6	400	350	380	1150	600	600	150	400	300	1000	450	550	850	375	475	27	140	18		450	800	380	110	210	1/2"	1/2"	3/8"	1080