

## DAB pump K

### SINGLE IMPELLER CENTRIFUGAL PUMPS



### DOMESTIC, CIVIL AND INDUSTRIAL WATER SUPPLY

Twin impeller centrifugal pump designed for use in pressurisation units for water supply systems for domestic, civil and industrial use. Suitable for sprinkling irrigation and other water supply applications. Cast iron pump body and motor support. Technopolymer impeller. Stainless steel driving shaft. Carbon/ceramic mechanical seal. Asynchronous, closed motor, cooled by external ventilation. Built-in thermal and current overload protection and a capacitor permanently on in the single-phase version. For the protection of the three-phase motor it is advisable to use a suitable overload protection complying with the regulations in force.

**Operating range:** from 1.2 to 30 m<sup>3</sup>/h with head up to 97 metres.

**Pumped liquid characteristics:** clean, free from solids or abrasive substances, not viscous, not aggressive, not crystallised, chemically neutral and close to the

characteristics of water.

**Liquid temperature range:**

from -10°C to +50°C: for K 35/40, K 45/50, K 35/100, K 40/100, K 55/100

from -15°C to +110°C: for K 55/50, K 66/100, K 90/100, K 70/300, K 80/300, K 70/400, K 80/400.

**Maximum operating range:**

K 35/40, K 35/100, K 40/100: 6 bar (600 kPa)

K 45/50, K 55/50: 8 bar (800 kPa)

K 55/100, K 66/100: 10 bar (1000 kPa)

K 90/100, K 70/300, K 80/300 K 70/400, K 80/400:

12 bar (1200 kPa).

**Maximum ambient temperature:** +40°C.

**Protection level:** IP 44.

**Terminal board protection level:** IP 55.

**Insulation class:** F.



K 30/70 M



K 35/1200 T

## TECHNICAL DATA

| MODEL         | CODE      | ELECTRICAL DATA          |           |            |      |          |           |     |
|---------------|-----------|--------------------------|-----------|------------|------|----------|-----------|-----|
|               |           | VOLTAGE 50 Hz            | P1 MAX kW | P2 NOMINAL |      | In A     | CAPACITOR |     |
|               |           |                          |           | kW         | HP   |          | µF        | Vc  |
| K 20/41 M     | 102110004 | 1 x 230 V ~              | 0,65      | 0,37       | 0,5  | 3        | 10        | 450 |
| K 20/41 T     | 102110014 | 3 x 230 - 400 V ~        | 0,64      | 0,37       | 0,5  | 2,3/1,3  | -         | -   |
| K 30/70 M     | 102110024 | 1 x 230 V ~              | 1,3       | 0,75       | 1    | 6        | 20        | 450 |
| K 30/70 T*    | 60145269  | 3 x 230 - 400 V ~        | 1,2       | 0,75       | 1    | 4,3/2,5  | -         | -   |
| K 30/70 M-P** | 102112024 | 1 x 230 V ~              | 1,3       | 0,75       | 1    | 6        | 20        | 450 |
| K 30/100 M    | 102110042 | 1 x 230 V ~              | 1,6       | 1,1        | 1,5  | 7,1      | 31,5      | 450 |
| K 30/100 T*   | 60145771  | 3 x 230 - 400 V ~        | 1,63      | 1,1        | 1,5  | 5,5/3    | -         | -   |
| K 36/100 M    | 102110162 | 1 x 230 V ~              | 2,1       | 1,85       | 2,5  | 8,8      | 40        | 450 |
| K 36/100 T*   | 60145837  | 3 x 230 - 400 V ~        | 2         | 1,85       | 2,5  | 6,9/4    | -         | -   |
| K 12/200 M    | 103110004 | 1 x 230 V ~              | 1,05      | 0,75       | 1    | 4,6      | 20        | 450 |
| K 12/200 T*   | 60145307  | 3 x 230 - 400 V ~        | 1,02      | 0,75       | 1    | 3,6/2,1  | -         | -   |
| K 36/200 T*   | 60146040  | 3 x 230 - 400 V ~        | 3         | 2,2        | 3    | 9/5,2    | -         | -   |
| K 40/200 T*   | 60146050  | 3 x 230 - 400 V ~        | 3,5       | 3          | 4    | 11,1-6,4 | -         | -   |
| K 55/200 T*   | 60146064  | 3 x 230 - 400 V ~        | 4,9       | 4          | 5,5  | 16,3-9,4 | 40        | -   |
| K 14/400 M    | 102130402 | 1 x 230 V ~              | 2,1       | 1,85       | 2,5  | 9,5      | -         | 450 |
| K 14/400 T*   | 60145845  | 3 x 230 - 400 V ~        | 2,1       | 1,85       | 2,5  | 7,4      | -         | -   |
| K 11/500 T*   | 60146044  | 3 x 230 - 400 V ~        | 2,6       | 2,2        | 3    | 9,1-5,8  | -         | -   |
| K 18/500 T*   | 60146057  | 3 x 230 - 400 V ~        | 3,4       | 3          | 4    | 10,2-5,9 | -         | -   |
| K 28/500 T*   | 60146073  | 3 x 230 - 400 V ~        | 4,5       | 4          | 5,5  | 14,7-8,5 | -         | -   |
| K 40/400 T*   | 60146093  | 3 x 400 V ~ <sup>1</sup> | 7         | 5,5        | 7,5  | 11,5     | -         | -   |
| K 50/400 T*   | 60146100  | 3 x 400 V ~ <sup>1</sup> | 9,4       | 7,5        | 10   | 15       | -         | -   |
| K 30/800 T*   | 60146101  | 3 x 400 V ~ <sup>1</sup> | 8,3       | 7,5        | 10   | 14       | -         | -   |
| K 40/800 T*   | 60146110  | 3 x 400 V ~ <sup>1</sup> | 11        | 9,2        | 12,5 | 18       | -         | -   |
| K 50/800 T*   | 60146116  | 3 x 400 V ~ <sup>1</sup> | 12,75     | 11         | 15   | 20,5     | -         | -   |
| K 20/1200 T*  | 60146102  | 3 x 400 V ~ <sup>1</sup> | 8,9       | 7,5        | 10   | 15,4     | -         | -   |
| K 25/1200 T*  | 60146111  | 3 x 400 V ~ <sup>1</sup> | 10        | 9,2        | 12,5 | 18       | -         | -   |
| K 35/1200 T*  | 60146117  | 3 x 400 V ~ <sup>1</sup> | 11,4      | 11         | 15   | 19,3     | -         | -   |

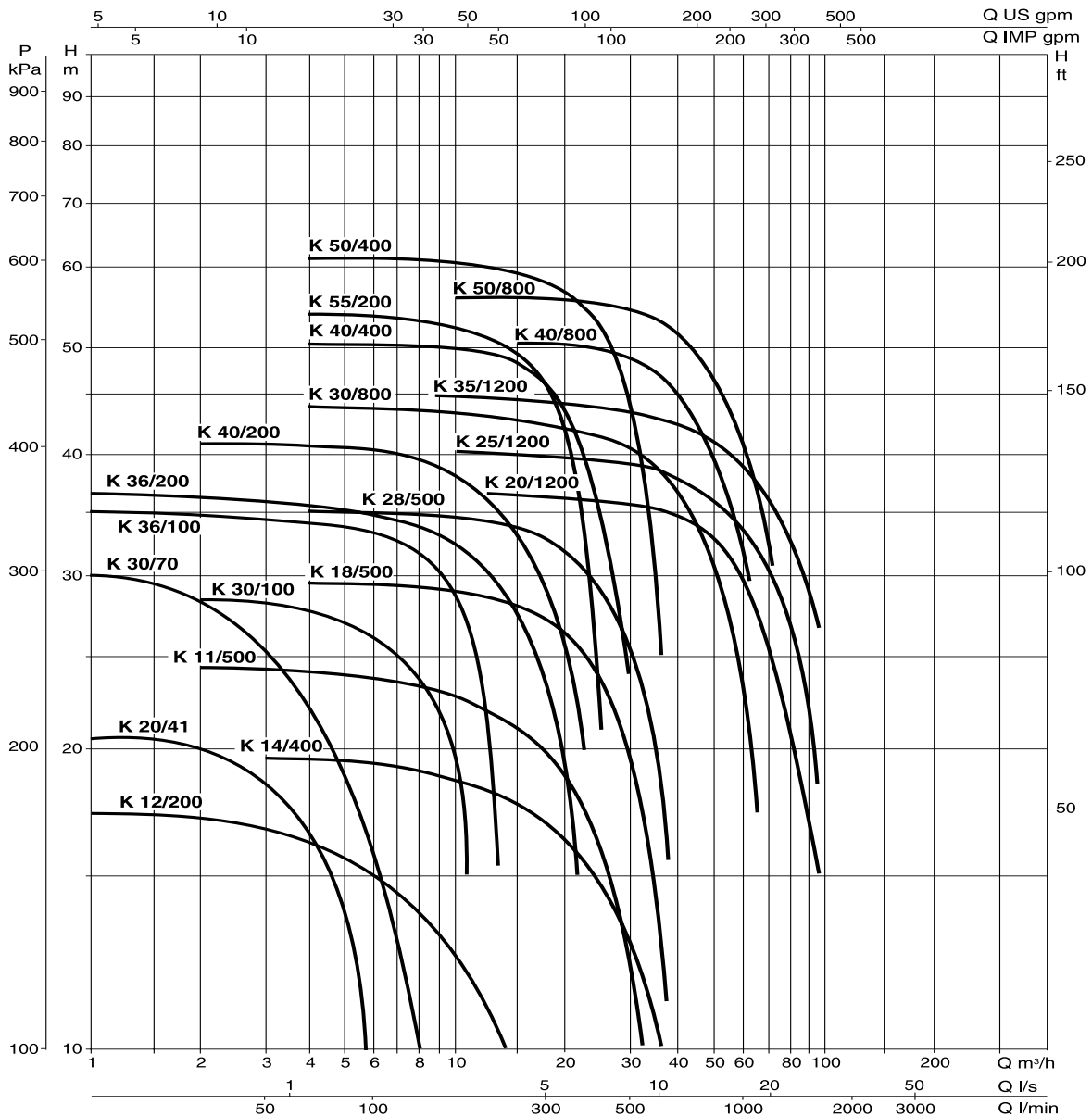
\* NEW IE2 MOTOR

\*\* Pump equipped with pressure gauge, pressure switch, power cable with plug and five -way fitting to use for connecting to a tank.

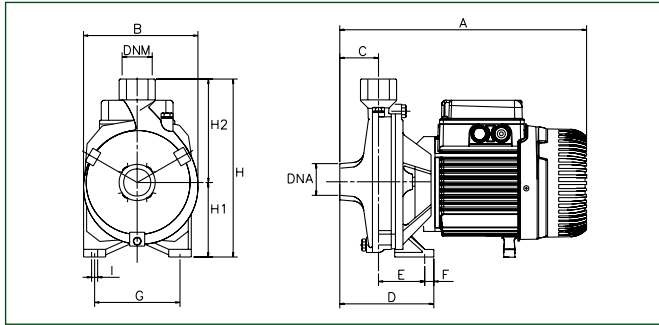
<sup>1</sup> Star delta starting

### PERFORMANCE COMPARISON series K / NKP-G

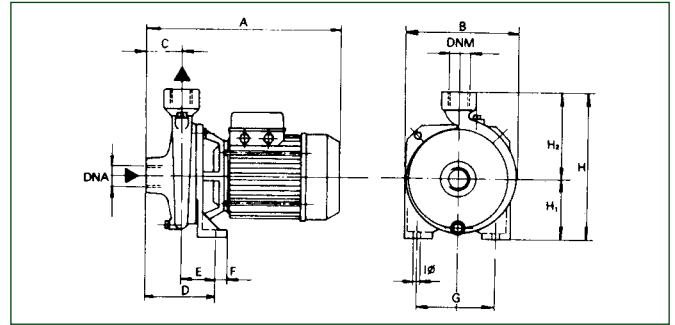
| MODEL       | CODE     | P2 kW | Q m³/h | H m     |       | MODEL                    | CODE      | P2 kW | Q m³/h   | H m       |
|-------------|----------|-------|--------|---------|-------|--------------------------|-----------|-------|----------|-----------|
| K 40/400 T  | 60146093 | 5,5   | 12-30  | 49-25   | ————— | NKP-G 32-200/190/ 5.5 /2 | 1D1311B9B | 5,5   | 3,6-36   | 46,5-29   |
| K 50/400 T  | 60146100 | 7,5   | 13-34  | 61-36   | ————— | NKP-G 32-200/210/ 7.5 /2 | 1D1311BAB | 7,5   | 3,6-36   | 58,5-44,5 |
| K 30/800 T  | 60146101 | 7,5   | 18-63  | 43-18   | ————— | NKP-G 40-160/172/ 7,5 /2 | 1D2211BAB | 7,5   | 6,7-67   | 42-26     |
| K 40/800 T  | 60146110 | 9,2   | 24-66  | 50-27   | ————— | NKP-G 40-200/210/11/2    | 1D2311BBB | 11    | 6,7-67   | 58-38,8   |
| K 50/800 T  | 60146116 | 11    | 24-78  | 56,7-25 | ————— | NKP-G 40-200/210/11 /2   | 1D2311BBB | 11    | 6,7-67   | 58-38,8   |
| K 20/1200 T | 60146102 | 7,5   | 30-92  | 36-17   | ————— | NKP-G 50-160/153/ 7.5 /2 | 1D3211BAB | 7,5   | 9,0-90   | 32-23,5   |
| K 25/1200 T | 60146111 | 9,2   | 32-94  | 39-19   | ————— | NKP-G 50-160/169/11/2    | 1D3211BBB | 11    | 10,0-100 | 39,5-30,5 |
| K 35/1200 T | 60146117 | 11    | 34-96  | 43-27   | ————— | NKP-G 50-200/200/15 /2   | 1D3311BCB | 15    | 9,2-92   | 56-40     |



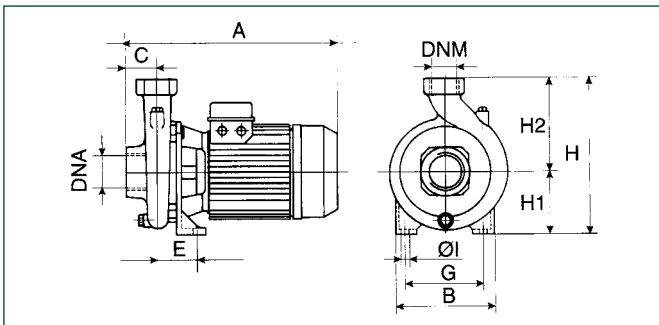
**K 20/41 - 30/70 - 12/200**



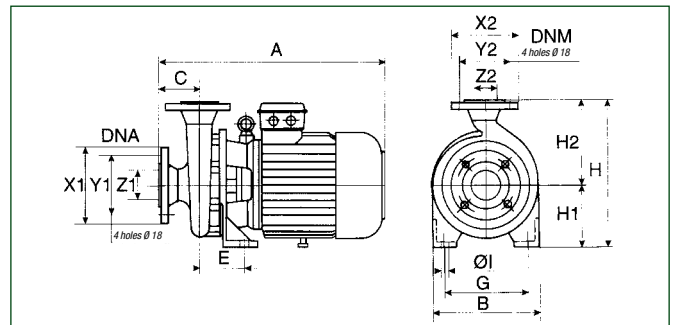
**K 30/100 - 36/100**



**K 36/200 - 40/200 - 55/200  
14/400 - 11/500 - 18/500 - 28/500**



**K 40/400 - 50/400 - 30/800 - 40/800  
50/800 - 20/1200 - 25/1200 - 35/1200**



CENTRIFUGAL PUMPS

| MODEL      | A   | B   | C   | D   | E   | G   | ØI | H   | H1  | DNA      | DNM      | WEIGHT KG | Q.TY x PALLET |
|------------|-----|-----|-----|-----|-----|-----|----|-----|-----|----------|----------|-----------|---------------|
| K 20/41    | 275 | 160 | 50  | 100 | 50  | 110 | 9  | 205 | 85  | 1" G     | 1" G     | 10        | 39            |
| K 30/70    | 300 | 185 | 50  | 108 | 58  | 140 | 9  | 235 | 100 | 1" G     | 1" G     | 13,9      | 30            |
| K 30/100   | 333 | 200 | 50  | 114 | 64  | 140 | 9  | 255 | 105 | 1 1/2" G | 1" G     | 18,5      | 21            |
| K 36/100   | 333 | 200 | 50  | 114 | 64  | 140 | 9  | 255 | 105 | 1 1/2" G | 1" G     | 23,3      | 18            |
| K 12/200   | 312 | 169 | 45  | 114 | 69  | 110 | 9  | 218 | 85  | 1 1/2" G | 1 1/2" G | 13,7      | 30            |
| K 36/200   | 425 | 250 | 55  | -   | 86  | 175 | 14 | 320 | 135 | 2" G     | 1 1/4" G | 33,1      | 18            |
| K 40/200   | 425 | 250 | 55  | -   | 86  | 175 | 14 | 320 | 135 | 2" G     | 1 1/4" G | 34,9      | 18            |
| K 55/200   | 425 | 250 | 55  | -   | 86  | 175 | 14 | 320 | 135 | 2" G     | 1 1/4" G | 39        | 18            |
| K 14/400 M | 430 | 200 | 62  | -   | 74  | 120 | 11 | 270 | 105 | 2" G     | 2" G     | 24,5      | 18            |
| K 14/400 T | 358 | 200 | 62  | -   | 74  | 120 | 11 | 270 | 105 | 2" G     | 2" G     | 22        | 21            |
| K 11/500   | 440 | 240 | 62  | -   | 100 | 155 | 14 | 312 | 132 | 2 1/2" G | 2" G     | 34,2      | 18            |
| K 18/500   | 440 | 240 | 62  | -   | 100 | 155 | 14 | 312 | 132 | 2 1/2" G | 2" G     | 36,6      | 18            |
| K 28/500   | 440 | 240 | 62  | -   | 100 | 155 | 14 | 312 | 132 | 2 1/2" G | 2" G     | 40,6      | 18            |
| K 40/400   | 560 | 273 | 100 | -   | 110 | 212 | 14 | 360 | 160 | 65       | 50       | 79        | 6             |
| K 50/400   | 560 | 273 | 100 | -   | 110 | 212 | 14 | 360 | 160 | 65       | 50       | 87        | 6             |
| K 30/800   | 600 | 273 | 100 | -   | 110 | 212 | 14 | 385 | 160 | 80       | 65       | 91        | 6             |
| K 40/800   | 600 | 273 | 100 | -   | 110 | 212 | 14 | 385 | 160 | 80       | 65       | 95        | 6             |
| K 50/800   | 600 | 273 | 100 | -   | 110 | 212 | 14 | 385 | 160 | 80       | 65       | 105       | 6             |
| K 20/1200  | 600 | 273 | 100 | -   | 110 | 212 | 14 | 385 | 160 | 80       | 65       | 88        | 6             |
| K 25/1200  | 600 | 273 | 100 | -   | 110 | 212 | 14 | 385 | 160 | 80       | 65       | 94        | 6             |
| K 35/1200  | 600 | 273 | 100 | -   | 110 | 212 | 14 | 385 | 160 | 80       | 65       | 100       | 6             |