

## DAB pump GRINDER 1000 - 1200 - 1600

SEWAGE PUMPS WITH CUTTING SYSTEM

### SEWAGE AND WASTE WATER FOR SMALL DISCHARGE PIPES

Submersible centrifugal pump fitted with cutting system suitable for pumping domestic wastewater with usual solid additions. Solids which cannot be transported are rejected outside of the pump by the cutting rotor as the cutting system is located upstream from the pump hydraulics. Cover, motor body, hydraulic section and impeller in cast iron ENIGL 200, grinding device in AISI440C. **Carbon/alumina** double mechanical seal. Dry type asynchronous sealed motor. Rotor mounted on ball bearings to ensure silent running and long life. In the single-phase version capacitor current protection in external control box, supplied with the pump.

**Motor protection level:** IP 68.

**Insulation class:** F.

Continuous duty with pump completely immersed. The single-phase version can be equipped with float switch for automatic starting and stopping of the pump.

Supplied as standard with 10 mt H07RN-F power cable.

**Operating range:** from 0 to 22 m<sup>3</sup>/h with head up to 25 mt.

**Liquid quality requirements:** Not aggressive sewage, drain water.

**Liquid temperature range:** From 0° to + 40°.

**Maximum immersion depth:** 10 mt.

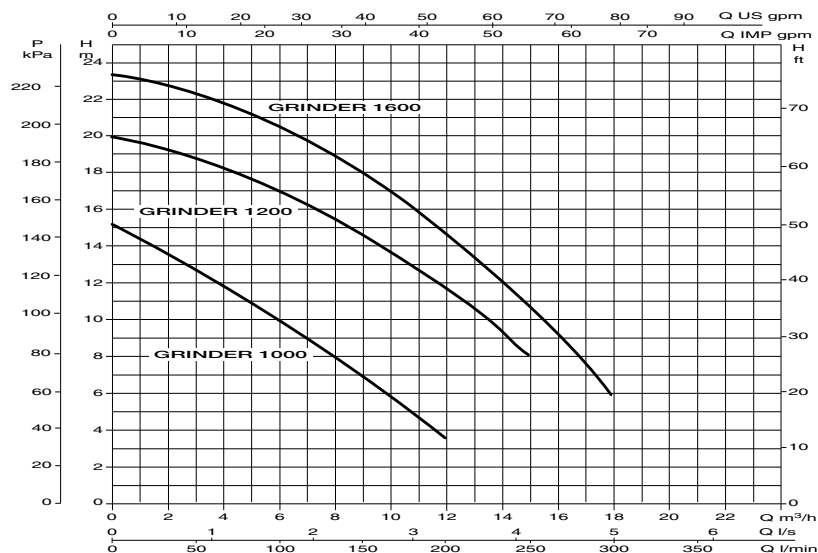
**Installation:** portable, in vertical position.

**Free passage:** 5mm.



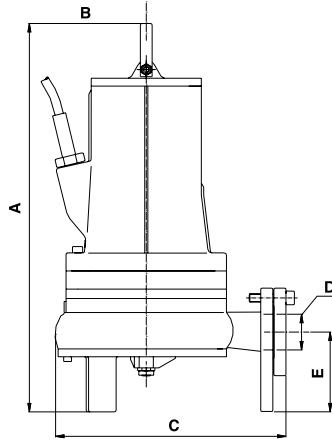
## TECHNICAL DATA

MODEL	CODE	ELECTRICAL DATA						
		VOLTAGE 50 HZ	P1 MAX kW	P2 NOMINAL		In A	CAPACITOR	
				kW	HP		µF	VC
Grinder 1000 M-A	60141604	1X220 - 240 V~	1,5	1	1,3	8	30+40	450
Grinder 1000 M-NA	60141603	1X220 - 240 V~	1,5	1	1,3	8	30+40	450
Grinder 1000 T	60141602	3X400 V~	1,6	1	1,3	2,8	-	-
Grinder 1200 M-A	60141601	1X220 - 240 V~	2,8	1,5	2,0	12,7	35+40	450
Grinder 1200 M-NA	60141600	1X220 - 240 V~	2,8	1,5	2,0	12,7	35+40	450
Grinder 1200 T	60141599	3X400 V~	2,7	1,5	2,0	4,7	-	-
Grinder 1600 M-A	60141587	1X220 - 240 V~	3,8	1,8	2,4	16,8	35+40	450
Grinder 1600 M-NA	60141585	1X220 - 240 V~	3,8	1,8	2,4	16,8	35+40	450
Grinder 1600 T	60141588	3X400 V~	3,3	1,8	2,4	5,8	-	-



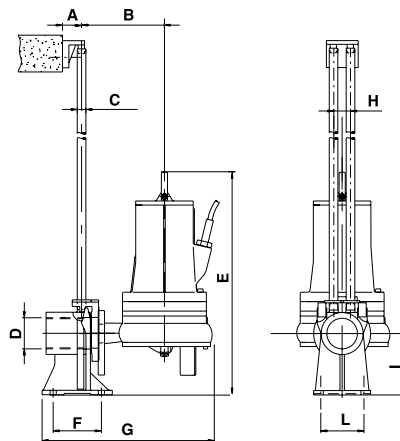
## DIMENSIONS AND WEIGHTS

**GRINDER 1000-1200-1600**



MODEL	A	B	C	E	DNM GAS	Q.TY X PALLET	WEIGHT KG
GRINDER 1000	445	145	270	110	2"	6	38
GRINDER 1200							39
GRINDER 1600							40

**GRINDER 1000-1200-1600**



MODEL	A	B	C (DIAM)	D	E	F	G	H	I	L
GRINDER 1000	50	160	3/4"	2"G	540	85	410	38	130	94
GRINDER 1200										
GRINDER 1600										