

# DAB pump FEKAFOS 280

AUTOMATIC PUMPING STATION



## WASTE WATER COLLECTION AND LIFTING

Automatic collection and lifting stations, used for collecting and pumping civil and industrial waste water in sewers. Comprises a high density 280 litre polythene tank with removable cover complete with a watertight and gastight seal.

Fekafos series is suitable only for the use of one not automatic single/triphas pump from the following: **DN 50 (FEKA 600 M-NA/T, FEKA VS/VX 550-750-1000-1200M-NA/T GRINDER1000-1200-1600T, GRINDER 1400 M-1800 T, FEKA 1400 M-1800 T, FEKA 2015 - 2030.2TNA) DN 65 (FEKA 2500.4T, FEKA 2515-FEKA 2500-FEKA 2700.2T), to be ordered separately.**

**Complete with:** 2 bulb floats mounted on a stainless steel support, cable holder for connecting the float and pump cables to the electrical panel (**to order separately according performance range table**), DN50 and DN110 suction manifolds and 2" delivery manifolds, connector for DN50 vent tube, lifting device (DSD2) for making pump maintenance easier. An alarm float can be used on request.

**Operating range:** from 1 to 48 m<sup>3</sup>/h with a head of up to 23 m.

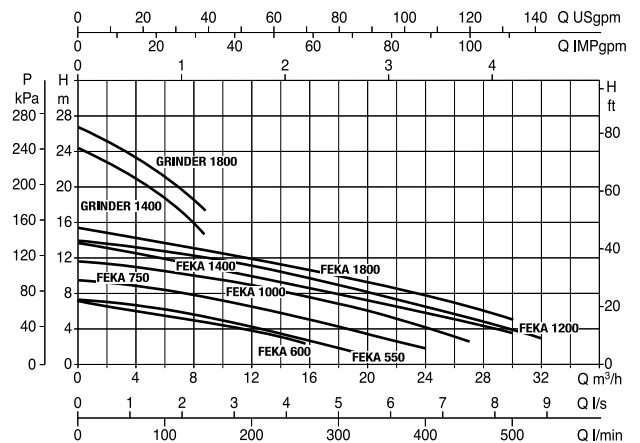
**Liquid temperature range:** +55°C.

**Pumped liquid:** ground water, rain water, clear waste water, black waste water and water from rivers and lakes.

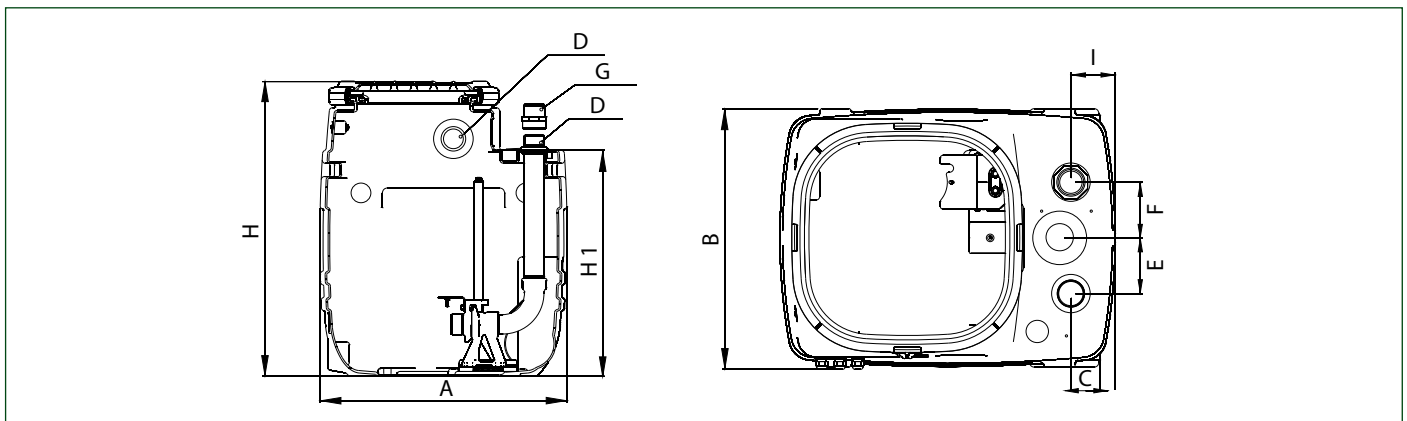


## TECHNICAL DATA

MODEL	CODE	CAPACITY [t]	DIMENSION [mm]	TO BE USED WITH	DN PIPES [mm]
FEKAFOS 280 2"	60114026	280	750x585x900	FEKA 600 M-NA/T, FEKA VS/VX 550-750-1000-1200 M-NA/T GRINDER 1000-1200-1600 T, GRINDER 1400 M-1800 T, FEKA 1400 M-1800 T, FEKA 2015 - 2030.2TNA DN 65 : FEKA 2500.4T, FEKA 2515-FEKA 2500-FEKA 2700.2T	2xDN150,3xDN110, 2xDN50 inlet 1xDN50 ventilation 1xDN40 emergency emptying
FEKAFOS 280 2" 1/2	60114039				



## DIMENSIONS AND WEIGHTS



MODEL	A	B	C	D	E	F	G	H	H1	I	WEIGHT KG.
FEKAFOS 280/...	750	585	99	DN 50/110	125	125	2"	900	690	99	37