

# DAB Pump KV 3 - 6 - 10

SETS WITH 1 VERTICAL MULTISTAGE PUMPS

## HYDRAULIC PART

Sets with one pump One multistage KV 3-6-10 type vertical electropump, a membrane vessel suitable for applications in the food sector, a radial pressure gauge, threaded manifolds in galvanised steel, check valve on the suction side and ball valves on the suction and delivery side, gauge holder cock for the control gauge and anti-vibration flexible pipe.

## ELECTRICAL PART

Sets with one pump - single-phase version – one two-poles pressure switch connected to the motor, complete with power cable and electric plug.

Three-phase version: overload cutout panel with rearm push button, complete with terminal board for connection to the power line, 1 pressure switch connected to the overload cutout panel.



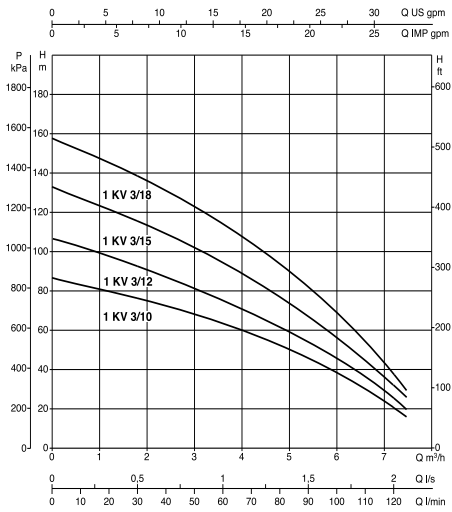
## TECHNICAL DATA

MODEL	CODE	ELECTRICAL DATA				MAX PRESSURE OBTAINABLE BAR	PRESSURE SWITCH SETTING IN BAR
		VOLTAGE 50 Hz	P2 NOMINAL		In A		
			kW	HP			
1 KV 3/10 M	500310100	1x220-240 V ~	1,1	1,5	7,8	8,2	5÷6
1 KV 3/12 M	500310120	1x220-240 V ~	1,5	2	9,6	10,2	6÷1
1 KV 3/10 T	500310600	3x400 V ~	1,1	1,5	5,6-3,2	8,2	5÷6
1 KV 3/12 T	500310620	3x400 V ~	1,5	2	6,4-3,7	10,2	6÷1
1 KV 3/15 T	500310650	3x400 V ~	1,85	2,5	7,5-4,3	13	8÷9
1 KV 3/18 T	500310680	3x400 V ~	2,2	3	10-5,8	15,8	10÷11
1 KV 6/7 M	500310270	1x220-240 V ~	1,1	1,5	7,5	6	4÷5
1 KV 6/9 M	500310290	1x220-240 V ~	1,5	2	9,4	8	5÷6
1 KV 6/7 T	500310770	3x400 V ~	1,1	1,5	5-2,9	6	4÷5
1 KV 6/9 T	500310790	3x400 V ~	1,5	2	6,2-3,6	8	5÷6
1 KV 6/11 T	500310810	3x400 V ~	1,85	2,5	7,3-4,2	9,8	6÷7
1 KV 6/15 T	500310850	3x400 V ~	2,2	3	11-6,3	13	8÷9
1 KV 10/4 M	500310440	1x220-240 V ~	1,1	1,5	8,3	3,8	2÷3
1 KV 10/5 M	500310450	1x220-240 V ~	1,5	2	10,4	4,8	3÷4
1 KV 10/4 T	500310940	3x400 V ~	1,1	1,5	6,1-3,5	3,8	2÷3
1 KV 10/5 T	500310950	3x400 V ~	1,5	2	6,8-3,9	4,8	3÷4
1 KV 10/6 T	500310960	3x400 V ~	1,85	2,5	8,7-5	5,5	4÷5
1 KV 10/8 T	500310980	3x400 V ~	2,2	3	11,8-6,8	7,2	5÷6

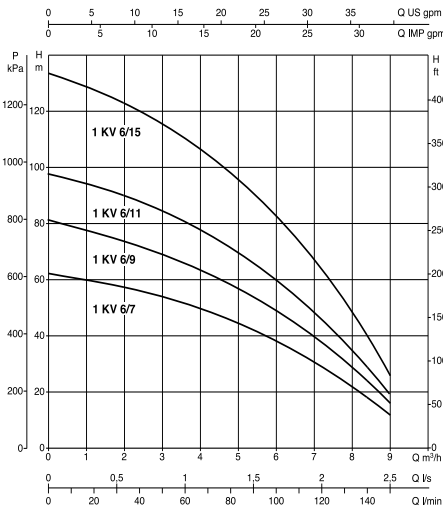
# 1 KV 3-6-10

## SETS WITH 1 VERTICAL MULTISTAGE PUMPS

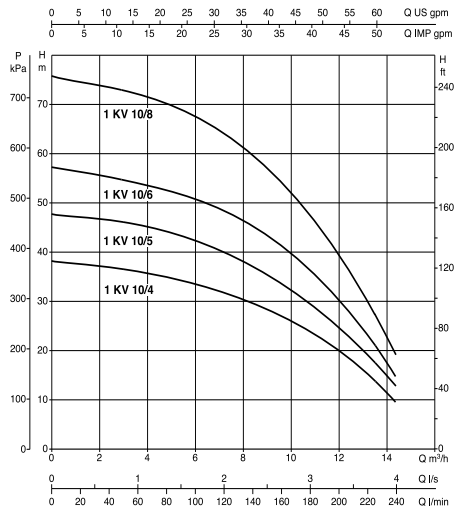
### 1 KV 3



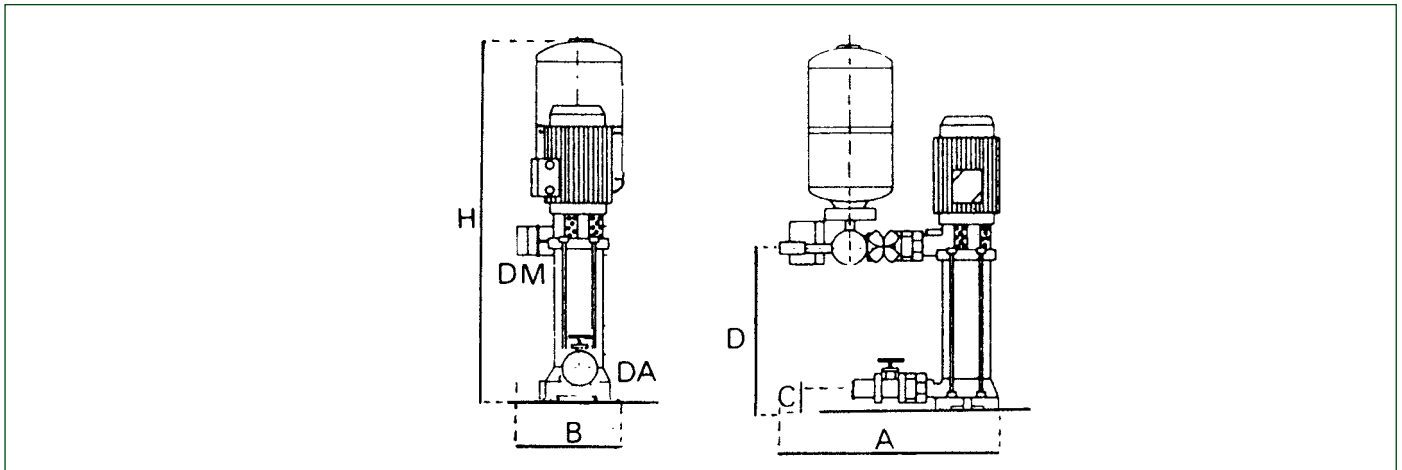
### 1 KV 6



### 1 KV 10



## DIMENSIONS AND WEIGHTS



MODEL	A	B	C	D	H	Ø MANIFOLD		WEIGHT Kg	
						DNA (suction)	DNM (delivery)	Single-Phase	Three-Phase
1 KV 3/10 M	760	300	120	473	993	1/4"	1/2"	39	-
1 KV 3/12 M	760	300	120	596	1116	1/4"	1/2"	40	-
1 KV 3/10 T	760	300	120	473	993	1/4"	1/2"	-	39
1 KV 3/12 T	760	300	120	596	1116	1/4"	1/2"	-	40
1 KV 3/15 T	760	300	120	692	1212	1/4"	1/2"	-	41
1 KV 3/18 T	760	300	120	788	1318	1/4"	1/2"	-	47
1 KV 6/7 M	760	300	120	436	956	1/4"	1/2"	37	-
1 KV 6/9 M	760	300	120	500	1020	1/4"	1/2"	40	-
1 KV 6/7 T	760	300	120	436	956	1/4"	1/2"	-	37
1 KV 6/9 T	760	300	120	500	1020	1/4"	1/2"	-	40
1 KV 6/11 T	760	300	120	564	1084	1/4"	1/2"	-	38
1 KV 6/15 T	760	300	120	692	1212	1/4"	1/2"	-	45
1 KV 10/4 M	760	300	120	340	860	1/4"	1/2"	35	-
1 KV 10/5 M	760	300	120	372	892	1/4"	1/2"	40	-
1 KV 10/4 T	760	300	120	340	860	1/4"	1/2"	-	35
1 KV 10/5 T	760	300	120	372	892	1/4"	1/2"	-	40
1 KV 10/6 T	760	300	120	404	920	1/4"	1/2"	-	38
1 KV 10/8 T	760	300	120	468	988	1/4"	1/2"	-	43