

B

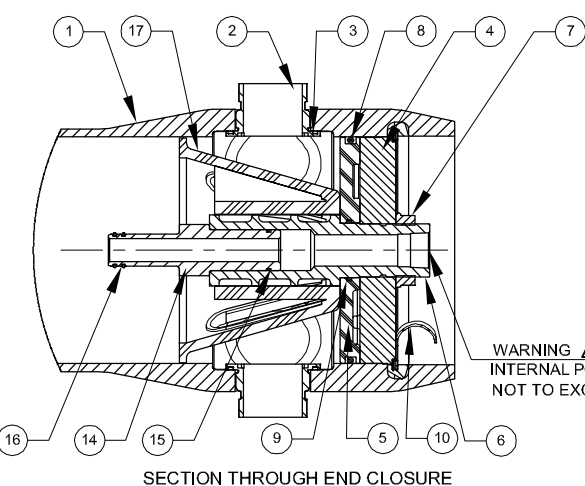
B

DWG REF	QTY	PART NUMBER	DESCRIPTION	MATERIAL
SHELL				
1	1	ORDER SECTION	SHELL	Filament Wound Epoxy/Glass composite - Head locking grooves integrally wound in place.
2	A/R		F/C Port	CF3M *
3	A/R		F/C Port Seal	Ethylene Propylene.
HEAD				
4	2	96156	Bearing Plate	6061-T6 Aluminium alloy - Hard anodized
5	2	96160	Sealing Plate	Engineering Thermoplastic.
6	2	96162	Permeate Port	Engineering Thermoplastic.
7	2	45066	Port Nut	Engineering Thermoplastic.
8	2	96000	Head Seal	Ethylene Propylene - O - Ring
9	2	45312	Perm Port Seal	Ethylene Propylene - O - Ring
HEAD INTERLOCK				
10	2	47336	Quick Release Spiral Ring	316 Stainless Steel.
VESSEL SUPPORT				
11	* 2	52169	Saddle	Engineering Thermoplastic.
12	* 2	45042	Strap Assy.	304 Stainless Steel-PVC Cushion.
13	4	46265	Strap screw.	5/16-18 UNC, 18-8 Stainless Steel.
ELEMENT INTERFACE				
14	2	A/R	Adapter	Engineering Thermoplastic.
15	2	52245	Adapter seal	Ethylene Propylene - O - Ring
16	4	A/R	PWT Seal	Ethylene Propylene - O - Ring
17	1	96163	Thrust Cone	Engineering Thermoplastic.

A

A

VIEW AT CENTER SUPPORT
CENTER VESSEL ON 2 OR 3 SUPPORTS
AT SPAN(S) "S": 3 SUPPORTS REQUIRED
FOR LENGTHS 4 AND ABOVE



- NOTES:-
- MAX. ANGULAR VARIATION BETWEEN ANY PORTS $\pm 0.5^{\circ}$.
 - DIMENSION IN INCHES (MM APPROX).
 - SHELL EXTERIOR COATED WITH WHITE, HIGH GLOSS POLYURETHANE PAINT.
 - ITEM 17 DOWNSTREAM ONLY.
 - NOT TO BE USED FOR CONSTRUCTION UNLESS CERTIFIED.
 - GRADE CF3M PER ASME SA-351/3-16L AS PER SA-479
 - # 600 PSI FOR METALLIC PERMPORT

CAUTION: INCORRECT MANIFOLDING WILL CAUSE SEVERE LOCAL STRESS AROUND PORT AND MAY RESULT IN LEAKS AND PREMATURE FAILURE; TAKE EVERY PRECAUTION LISTED ON REVERSE, SEE INSTALLATION INSTRUCTIONS FOR FURTHER DETAILS

PO NUMBER _____

CUSTOMER NAME _____

PROJECT NAME _____

TOTAL QUANTITY _____

PORT CONFIG	VESSEL QUANTITY

Dash Length	L IN(MM)	P IN(MM)	S IN(MM)	Approx Weight LB(KG)
-1	59.15 (1502)	47 (1194)	23X1 (588)	71 (32)
-2	99.15 (2518)	87 (2210)	56X1 (1422)	88 (40)
-3	139.15 (3534)	127 (3226)	80X1 (2032)	106 (48)
-4	179.15 (4550)	167 (4242)	64X2 (1626)	124 (56)
-5	219.15 (5566)	207 (5258)	78X2 (1981)	141 (64)
-6	259.15 (6582)	247 (6274)	92X2 (2337)	159 (72)
-7	299.15 (7598)	287 (7290)	106X2 (2692)	176 (80)
-8	339.15 (8614)	327 (8306)	120X2 (3048)	193 (88)

CodeLine®
Pentair Water

CodeLine - 80S30 MEMBRANE HOUSING

DRAWN DATE	KR 17 JAN 08	ECN 2243	DWG. NO.	99160	REV. L	
CHECKED DATE	MD 17 JAN 08		DATE	25 JUL 11		SCALE NONE
APPROVED DATE	RM 17 JAN 08					

* 3 each furnished with length code 4,5,6,7 & 8.

4

3

2

1

RATING:

DESIGN PRESSURE.....300 PSIG at 190°F
(2.1 MPa at 88°C)
MIN. OPERATING TEMP.....20°F
(-7°C)
FACTORY TEST PRESSURE..... CE / ASME
450 PSIG / 330 PSIG
(3.10 MPa) (2.27 MPa)
QUALIFICATION PRESSURE1800 PSI
(12.4 MPa)

INTENDED USE:

The CodeLine 80S30 Fiberglass RO Pressure Vessel is designed for continuous, long term use as housing for reverse osmosis membrane elements to desalt typical brackish waters at pressures up to 300 psi. Any make of eight-inch nominal diameter spiral-wound element is easily accommodated; the appropriate interfacing hardware for the element specified is furnished with the vessel.

The CodeLine 80S30 is designed in accordance with the engineering standards of the Boiler and Pressure Vessel Code of the American Society of Mechanical Engineers (ASME) Code. At small additional cost vessels can be inspected during construction by an ASME Authorized Inspector and ASME Code stamped.

The CodeLine 80S30 must be installed, operated and maintained in accordance with the listed precautions and good industrial practice to assure safe operation over a long service life.

The high performance Filament wound FRP shell must be allowed to expand under pressure; undue restraint at support points or piping connections can cause leaks to develop in the shell. This side-ported vessel requires special precautions in mounting and connection to piping so that the vessel will not be subjected to excessive stress due to bending moments acting at the side openings in the fiberglass shell. The end closure, incorporating close fitting, interlocking metal components, must be kept dry and free of corrosion; deterioration can lead to catastrophic mechanical failure of the head.

Pentair Water will assist the purchaser in determining the suitability of this standard vessel for their specific operating conditions. The final determination however, including evaluation of the standard material of construction for compatibility with the specific corrosive environment, shall be the responsibility of the purchaser. Alternate materials with enhanced corrosion resistance are available on special order.

Specifications are subject to change without notice.

PRECAUTIONS:

- DO...read, understand and follow all instructions; failure to take every precaution will void warranty and may result in vessel failure
- DO...mount the shell on horizontal members at span "S" using compliant vessel supports furnished; Shim saddles if required. Tighten hold down straps just snug
- DO...align and center side ports with the manifold header. Correct, causes of misalignment in a row of vessels connected to the same header
- DO...use flexible type grooved-end pipe couplings, Victaulic® Style 77 or equal, at side ports; allow full, 0.125 inch gap between port and piping, and position piping to maximize flexibility of connection.
- DO...provide flexibility in, and support for piping manifolds so that vessel can grow in length under pressure without undue restraint; provide additional flexible joints in large pipes leading to manifold header.
- DO...provide overpressure protection for vessel set at not more than 105% of design pressure
- DO...inspect end closures regularly; replace components that have deteriorated and correct causes of corrosion
- DO... Lubricate seals sparingly, using nonpetroleum Based lubricants, i.e. Parker Super O-lube®, Glycerin or suitable silicone based lubricants.
- DO NOT...work on any component until first verifying that pressure is relieved from vessel
- DO NOT...make rigid piping connections to ports or clamp vessel in any way that restricts growth of fiberglass shell under pressure;
***ΔDIA = 0.015 in. (0.4mm) and
***ΔL = 0.2 in. (6mm) for a length code -8 vessel
- DO NOT... hang piping manifolds from ports or use vessel in any way to support other components
- DO NOT...tighten Permeate Port connection more than one turn past hand tight
- DO NOT... operate vessel without connecting both Permeate Ports internally to complete set of elements or otherwise plug ports internally so that external piping connection is not subjected to feed pressure
- DO NOT...install Spacer on downstream end of vessel
- DO NOT...operate vessel without Thrust Cone installed downstream
- DO NOT...pressurize vessel until double-checking to verify that the Locking Ring is in place and fully seated.
- DO NOT...operate vessel at pressure and temperature in excess of its rating.
- DO NOT...operate vessel with permeate pressure in excess of 125 psi at 190°F (0.86 Mpa at 88.°C).
- DO NOT...tolerate leaks or allow end closures to be routinely wetted in any way
- DO NOT...operate outside the pH range 3-10.

ORDERING:

Using the chart below, please check the features you require

VESSEL LENGTH CODE – please check one

MODEL 80S30 -1 -2 -3 -4 -5 -6 -7 -8

MEMBRANE BRAND AND MODEL

Please supply adapters for the following membrane brand and specific model
Brand _____ Model _____

CERTIFICATION REQUIRED

- ASME Stamped and National Board Registered.
- CE Marked Standard.
- Certified by Pentair water.
- In compliance with the ASME Sec X but not Code Stamped.
 - Hydro testing at 1.1 times the design pressure
 - Hydro testing at 1.5 times the design pressure

ADAPTER KITS	
UP STREAM	DOWN STREAM

PERMEATE PORT SELECTION

Serial Number End

Size of the Permeate Port 1" 1.25" 1.5"
Type of Connection FNPT MNPT BSPTM BSPTF IPS GROOVED SANITARY
Material of Construction PET/Noryl SS316L Zeron 100

Non Serial Number End

Size of the Permeate Port 1" 1.25" 1.5"
Type of Connection FNPT MNPT BSPTM BSPTF IPS GROOVED SANITARY
Material of Construction PET/Noryl SS316L Zeron 100

Note:

- Standard offering is 1.0" FNPT in PET/Noryl.
- 1.25" & 1.5" BSPTF, 1.25" & 1.5" FNPT and 1.25" SANITARY connections cannot be offered
- Sanitary permeate port cannot be offered in PET/Noryl

STRAP ASSEMBLY

Standard SS304 Optional SS316 Optional SS316L

FEED/CONCENTRATE PORT SELECTION

Material of Construction CF3M Optional Duplex SS (CD3MN)
 Optional Super Duplex SS (CD3MWCuN)

Configuration Standard - CF3M 1D5D
 Optional – Multi ports :(Refer SPEC.SHEET/PM/1.5"-3"for Multi port selection)

Serial number end
Opposite end

PORT SIZE CODE	
D	1½" GROOVED END
E	2" GROOVED END
F	2½" GROOVED END

BEARING PLATE MATERIAL

Standard – 6061 T6 Aluminium
 Optional – Stainless Steel 316L

Note: Please refer to 99321 for sanitary details and refer page-3 for optional Part numbers.

4

3

2

1

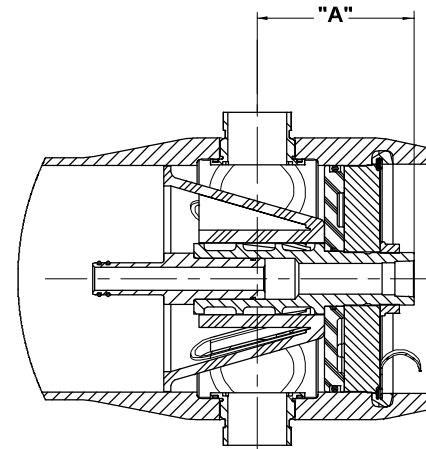
BEARING PLATE PART NUMBERS		
PERMEATE PORT SIZE	ALUMINIUM	SS316L
1.0"/1.25"	96156	97346
1.5"	96879	97350

SEALING PLATE PART NUMBERS	
Standard used for Aluminium BP	96160
Optional used for SS316L BP	96477

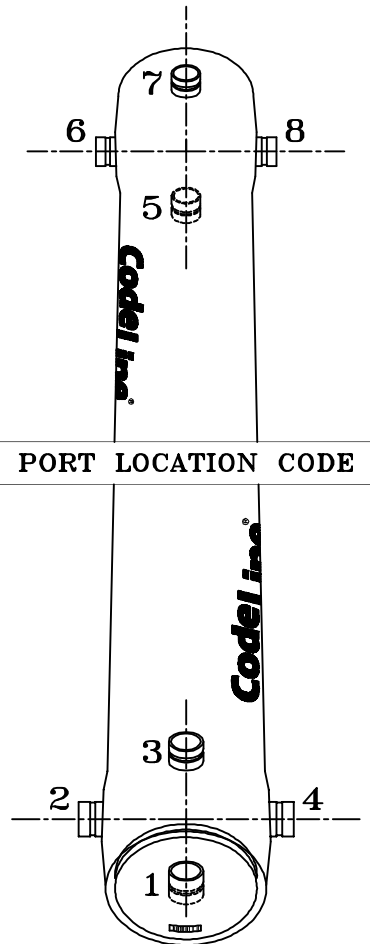
PERM PORT RETAINER RING & PORT NUT PART NUMBERS		
1.0" / 1.25"	Standard Port nut	45066
1.5"	Port Retainer Ring	45247

STRAP ASSEMBLY PART NUMBERS		
SS304	SS316	SS316L
45042	46926	94371

F/C PORT & SEAL PART NUMBER				
SIZE	*CF3M	**CD3MN	***CD3MWCuN	SEAL
1.5"	98024	97353	96507	96077
2.0"	98025	97357	96643	96078
2.5"	98026	97364	96556	96079



SECTION THROUGH END CLOSURE



PORT LOCATION CODE

Serial Number End

PERMEATE PORT PART NUMBERS & PERMPORT TO F/C PORT OFFSET DISTANCE											
SIZE	MATERIAL	FNPT		MNPT		BSPTF		BSPTM		IPS GROOVED	
		PART NUMBER	DIM "A"	PART NUMBER	DIM "A"	PART NUMBER	DIM "A"	PART NUMBER	DIM "A"	PART NUMBER	DIM "A"
1.0"	PET/NORYL	96162	5.508	97316	6.508	96301	5.508	97354	6.508	97323	6.808
	SS316L	96752	5.508	97347	6.508	97351	5.508	97355	6.508	97322	6.808
	#ZERON 100	97349	5.508	97348	6.508	97352	5.508	97356	6.508	97293	6.808
1.25"	PET/NORYL	NA	NA	96345	6.508	NA	NA	97360	6.508	97246	6.808
	SS316L	NA	NA	96487	6.508	NA	NA	97362	6.508	97311	6.808
	#ZERON 100	NA	NA	97359	6.508	NA	NA	97363	6.508	97365	6.808
1.5"	PET/NORYL	NA	NA	97366	6.108	NA	NA	97369	6.108	97469	6.738
	SS316L	NA	NA	97368	6.108	NA	NA	97371	6.108	97449	6.738
	#ZERON 100	NA	NA	97292	6.108	NA	NA	97372	6.108	97374	6.738

NOTES

- ** DIMENSION IN INCHES (MM APPROX.)
- * GRADE CF3M PER ASME SA-351/316L AS PER SA-479
- ** GRADE CD3MN AS PER ASME SPEC SA-995 (UNS-J92205)
- *** GRADE CD3MWCuN AS PER ASME SPEC SA-995 (J 93380)
- # GRADE ZERON 100 AS PER ASTM-479

O
k
==`
u
7

DRAWN	PDM	MEMBRANE HOUSING			
	27 JUN 11	DATE	DWG. NO.	REV.	
CHECKED	RD	25 JUL 11	99160	L	
APPROVED	RM	ECN	SCALE	SIZE	SHEET
	27 JUN 11	2243	NONE	A3	3 OF 3



CodeLine®

Pentair Water
CodeLine - 80S30

www.lenntech.com

info@lenntech.com

4

3

2

1

B

B

A

A