

Cartridge filtration BECO-PROTECT PP pre-filter cartridges

BECO-PROTECT PP pre-filter cartridges consist of a pleated polypropylene filter material, characterized by an exceptionally high retention rate, of up to 99.9 % of the specified separation rate. The support body and end caps are made from polypropylene and are thermoplastically bonded to each other, thus achieving very high chemical resistance. The BECO-PROTECT PP pre-filter cartridges are available with separation rates between 0.6 µm and 60 µm, and are optimized for the requirements of pre- and fine filtration of liquids. BECO-PROTECT PP pre-filter cartridges are characterized by high unfiltrate retention capacities, long dwell times and absolute separation rates. Due to their separation characteristics, BECO-PROTECT PP pre-filter cartridges are used for the filtration of

- ▶ wine, sparkling wine
- ▶ beer, mineral water
- ▶ cider
- ▶ liquid foods
- ▶ products of the pharmaceutical, cosmetics, chemical and electronics industries

Configuration of the filter cartridge

BECO-PROTECT PP pre-filter cartridges are made from high-quality, pleated polypropylene fleeces. The filter material is protected by polyester fleeces and has broad chemical compatibility. The internal and external polypropylene support core ensures maximum mechanical stability. All materials used ensure product-neutral filtration without adsorption or particle migration. The BECO-PROTECT PP pre-filter cartridges therefore meet the requirements of the customer in terms of safe, gentle filtration of his products.

Materials used:
Filter material: polypropylene
Support fleeces: polypropylene
Internal and external support body: polypropylene
End caps/adapters: polypropylene
O-rings: silicone (standard)

All materials used meet the requirements of USP-XXII Class VI-121 °C and are thermoplastically bonded without the use of adhesives.

Characteristics and advantages

The specific advantages of BECO-PROTECT PP:

- ▶ Large effective filter surface area through pleated filter material
- ▶ High unfiltrate retention capacity
- ▶ High retention rate through multi-layer filter structure
- ▶ High chemical resistance.

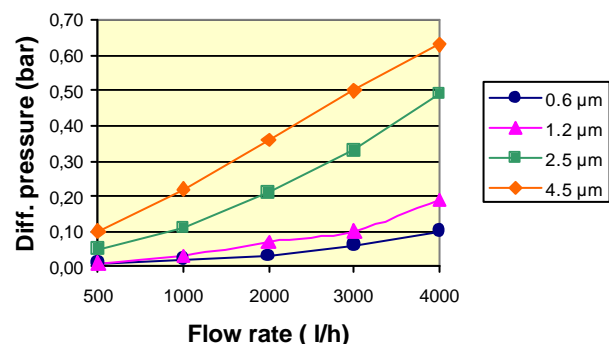
Filter cartridge types/separation rates

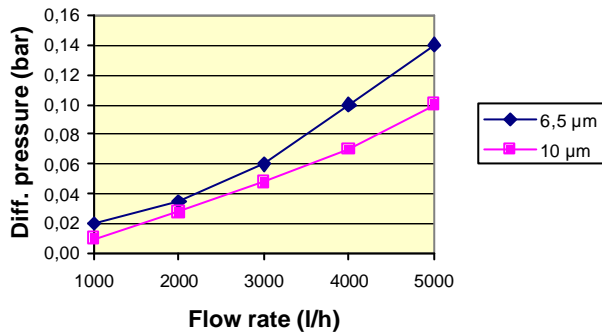
Filter cartridge type	Separation rate [µm]
PP006	0.6
PP012	1.2
PP025	2.5
PP045	4.5
PP065	6.5
PP100	10.0
PP200	20.0
PP400	40.0
PP600	60.0

Technical data

Flow rates:

Filter cartridge type	Water flow l/h and 10" element differential pressure 0.1 bar
PP006	450
PP012	800
PP025	3000
PP045	3700
PP065	4000
PP100	4200
	For the 20", 30" and 40" cartridge lengths, a maximum flow rate of 10,000 l/h applies





Diameter	70 mm
Max. operating temperature	80 °C
Steam sterilization	> 50 h at 125 °C
Chemical sterilization	can be sterilized with conventional chemical cleaners
Recommended pressure difference for filter cartridge replacement	2.5 bar
Max. differential pressure	5.0 bar at 25 °C

Steam sterilization

Steam sterilization:
 BECO-PROTECT PP pre-filter cartridges can be steamed or autoclaved at 125 °C max.
 Duration: 20 minutes min. after steam emerges from all openings of the filtration system.
 Sterilization with hot water or chemical cleaning via CIP with conventional cleaners is also possible.

Ordering information

Cartridges with protective foil in carton






Cartridge types	Separation rates	Adapter	Length	Gasket
PP	006 = 0.6 µm	F = Code F	1 = 10"/25 cm	S = silicon
	012 = 1.2 µm	0 = Code 0	2 = 20"/50 cm	
	025 = 2.5 µm	2 = Code 28	3 = 30"/75 cm	
	045 = 4.5 µm	5 = Code 5	4 = 40"/100 cm	
	065 = 6.5 µm	7 = Code 7		
	100 = 10.0 µm			
	200 = 20.0 µm			
	400 = 40.0 µm			
	600 = 60.0 µm			

Example:

PP	006	F	1	S
----	-----	---	---	---

BECO-PROTECT PP pre-filter cartridge 0.6 µm separation rates; Code F, 10"

Adaptercodes:

Code F	Code 0	Code 28	Code 5	Code 7
2 flat gasket	2-222 O-Ring	3 bayonet adapter with centering tip	2-222 O-Ring with centering tip	2-226 O-Ring 2 bayonet adapter with centering tip
				

HS Customs Tariff: 8421 99 00

Safety

When used and handled correctly, there are no known unfavorable effects associated with this product. BECO-PROTECT PP pre-filter cartridges do not require the provision of safety-relevant information.
 There are no known risks to humans or the environment during storage, handling and transport.

Disposal

BECO-PROTECT PP pre-filter cartridges should be treated as industrial waste. Any local and other official regulations must be followed.

Storage

BECO-PROTECT PP pre-filter cartridges should be stored in their original packaging, and in a dry and odor-free place. Never store the product near evaporating chemicals, oils or fuels etc. The filter cartridges should be used within 2 years after delivery.

Certified Quality

During the production process, BECO-PROTECT PP pre-filter cartridges are monitored constantly to ensure consistently high quality. All BECO-PROTECT PP pre-filter cartridges are subjected to an integrity test during production.
 The materials used meet the requirements of the German Health Authority (BGA) and the US Food and Drug Administration (FDA).



Reg. No. 000480 QM

All information is given to the best of our knowledge. However, please understand that the information cannot be guaranteed for every application, working practice or operating condition. Misuse of the product will result in all warranties being voided.

Please do not hesitate to contact us if you have further questions. You may call your area sales manager, or BEGEROW direct on +49 67 04 20 4-0 1.

Reproduction of this document, even in part, is permitted only with reference to the source.

We reserve the right to make technical changes.