

Cartridge Housing

BECO INTEGRA CART KB Range

1 A 7.2.5 · NSh
 04/2012

BECO INTEGRA CART cartridge housings are manufactured of stainless steel 1.4404 and can be applied within the filtration of liquids in the beverages industry. This range is available in 1, 3, 5, 8, 12, 18, 24 and 30 fold design (1 – 30 filter cartridges) for pre-filtration or sterile filtration purposes.

Special Features:

- ▶ The application of material 1.4404 avoids corrosion even at long term use
- ▶ High safety by application of code-7-adapters (double-leaf bayonet locking)
- ▶ The optimized design allows thorough and quick cleaning.
- ▶ Low product loss thanks to compact design
- ▶ Resistant to hot water or steam sterilization

Application

All BECO INTEGRA CART cartridge housings (1 – 30 fold) are designed for the filtration of media of fluid group 2 according to Pressure Equipment Directive DGRL 97/23/EG. A variety of different housing heights between 10" and 20" or 30" and 40" allow a perfect adaptation of the housing size to product volume to be filtered. This reduces product loss and waste to a minimum. An optimized filtrate chamber design and special filter surface finish provide very easy cleaning and sterilization.

The BECO INTEGRA CART cartridge housings are suitable for the application with BECO pre-filter cartridges and BECO membrane filter cartridges.

Other variations and further components for expansion to complete systems are available on request and would be customized according to specification.

Technical Data

Max. permissible operation pressure:	Depending on housing size see table
Max. permissible operation temperatures:	Depending on housing size see table
Housing material:	
Product contacting:	Stainless steel 1.4404
Sealing:	Silicone (EPDM, Viton)
Housing suitable for:	Media of fluid group 2 acc. to DGRL (PED) 97/23/EG
Housing connection:	Threaded nozzle acc. to DIN 11851
Housing closure:	
1 to 8 fold:	Quick closure
12 to 30 fold:	Clamp screws
Venting:	TC connection 1,5"
Draining:	None (should be included within the valves of in- and outlet piping)
Fittings:	Vent and drain units are available at special request.
Customs tariff no:	8421 29 00

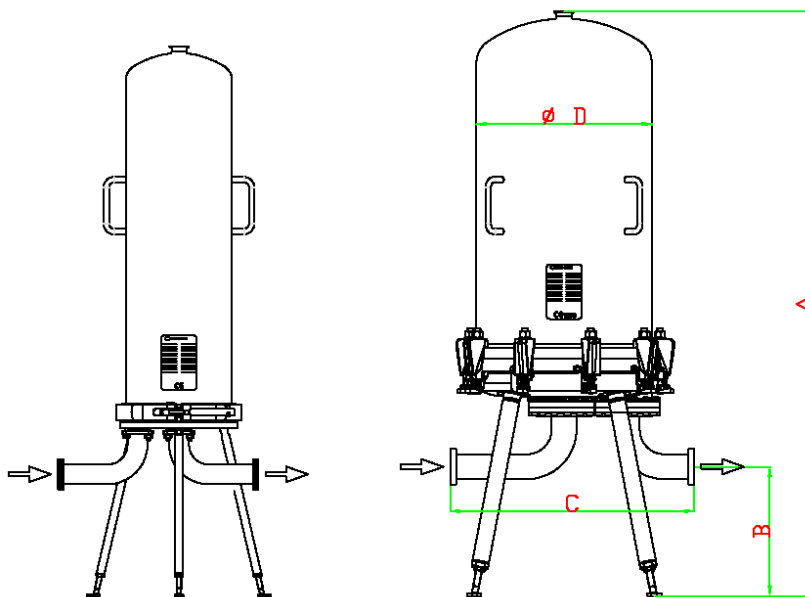


KB housing:
 1 to 8 filter cartridges
 (quick closure)



KB housing:
 12 to 30 filter cartridges
 (clamp screws)

Article No.	Qty	Cartr. Length	Dimensions [mm]				Connections DIN11851	Volume [l]	Weight [kg]	Perm. Pressure [bar] at 150°C		Perm. Pressure [bar] at 40°C	
			A	B	C	D				Liquid	Gas, Steam	Liquid	Gas, Steam
KB117X25	1	10"	800	381	221	102	DN 25	3.0	7.0	7.5	7.5	10	10
KB127X25	1	20"	1050	381	221	102	DN 25	4.8	8.2	7.5	7.5	10	10
KB137X25	1	30"	1300	381	221	102	DN 25	6.7	9.4	7.5	7.5	10	10
KB147X25	1	40"	1550	381	221	102	DN 25	8.6	10.6	7.5	7.5	10	10
KB337X40	3	30"	1310	340	351	168	DN 40	17.8	21.4	7.5	7.5	10	10
KB347X40	3	40"	1560	340	351	168	DN 40	23.1	23.4	7.5	7.5	10	8,6
KB537X50	5	30"	1325	310	423	219	DN 50	29.1	22.0	7.5	6.8	10	6,8
KB547X50	5	40"	1575	310	423	219	DN 50	38.2	24.0	7.5	5.2	10	5,2
KB837X50	8	30"	1310	310	449	273	DN 50	49.7	33	7.5	4.0	10	4,0
KB847X50	8	40"	1560	310	449	273	DN 50	63.9	36	7.5	3.1	10	3,1
KB123765	12	30"	1430	326	547	350	DN 65	89	66	7.0	2.2	9	2,2
KB124765	12	40"	1680	326	547	350	DN 65	113	70	7.0	1.7	9	1,7
KB183765	18	30"	1450	325	604	400	DN 65	115	68	6.2	1.7	8	1,7
KB184765	18	40"	1700	325	604	400	DN 65	146	74	6.2	1.3	8	1,3
KB243780	24	30"	1475	310	616	450	DN 80	151	95	6.2	6.2	8	6,5
KB244780	24	40"	1725	310	616	450	DN 80	190	100	6.2	5.2	8	5,2
KB303780	30	30"	1500	310	712	550	DN 80	235	109	6.2	4.2	8	3,4
KB304780	30	40"	1750	310	712	550	DN 80	293	117	6.2	3.4	8	3,4



1 to 8 fold cartridge housing
(Design with quick closure)

12 to 30 fold cartridge housing
(Design with clamp screws)

All information is given to the best of our knowledge. However, the validity of the information cannot be guaranteed for every application, working practice and operating condition. Misuse of the product will result in all warranties being voided. Reproduction, even in part, is permitted only with reference to the source. Subject to change in the interest of technical progress.

LENNTECH

info@lennotech.com

www.lennotech.com

Tel. +31-15-261.09.00

Fax. +31-15-261.62.89