

## Cartridge Housings

### BECO INTEGRA CART, K Range

1 A 7.2.3 · NSh

04/2012

#### For large flow rates

BECO INTEGRA CART cartridge housings are manufactured of AISI 316 stainless steel and are designed for use in liquid filtration processes in the beverages industries. This range is available as a 8-, 12, 16, 24, 36- and 48- fold cartridge version for sterile filtration or prefiltration purposes.

#### Special Features

- ▶ The use of material AISI 316L/316 Ti avoids corrosion, even after long use.
- ▶ High safety by use of the Code-7-adaper (double bayonet catch).
- ▶ The optimized design of the housing permits thorough quick cleaning.
- ▶ Low product loss on account of compact construction.
- ▶ Sterilization with hot water or steam.

#### Application

All BECO INTEGRA CART cartridge housings of this range are suitable for filtration of liquids and gaseous media of fluid groups 1 and 2 according to the Pressure Equipment Directive (PED) DGRL 97/23/EG. Different housing heights of 30" to 40" permit optimized adaption of housing size to product volume to be filtered. This reduces product loss and waste to a minimum. An optimized filtrate chamber design and an a special filter surface finish provide for very easy cleaning and sterilizing.

The BECO INTEGRA CART cartridge housings are suitable for the accommodation of BECO prefilter cartridges and BECO membrane filter cartridges.

Other designs and further components for expansion to complete systems are available, depending on the customers' requirements.

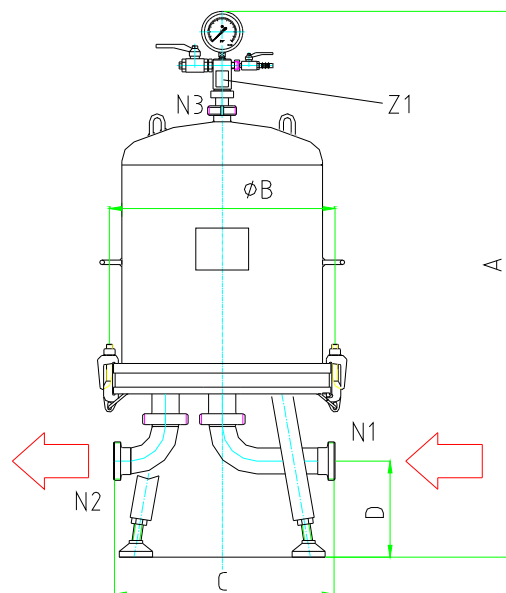
#### Technical Data

Max. permissible operating pressure:	6 – 10 bar
Max. permissible operating temperature:	120 – 140 °C depending on operating pressure
Housing material:	
Product contacting:	stainless steel AISI 316L/316 Ti
Other:	stainless steel AISI 304
Gaskets, seals:	EPDM (viton, silicone) as request
Housing suitable for:	media of fluid group 1 and 2 according to DGRL (PED) 97/23/EG
Housing connections:	DIN 11851 round thread connection
Vent:	round thread connection DN 40 according to DIN 11851
Drain:	none (should be arranged in the pipe installation of inlet and outlet)
Fittings:	vent unit (Z1) is included in the scope of delivery drainage unit as additional equipment available

Customs tariff no.8421 29 00



Article-no.	No. of catr.	Length of catr.	Dimensions [mm]				Connections Standard DIN11851			Capacity [l]	Weight [kg]	Op. pressure [bar]	Temperature [°C]
			A	B	C	D	Inlet	Outlet	Vent				
K083(4)7050	8	30" (40")	1470 (1720)	350	306	450	50	50	40	59 (77)	65 (75)	10	140
K123(4)7065	12	30" (40")	1470 (1720)	450	306	450	65	65	40	108 (140)	90 (103)	10	140
K163(4)7065	16	30" (40")	1470 (1720)	450	306	450	65	65	40	108 (140)	90 (103)	10	140
K243(4)7080	24	30" (40")	1470 (1720)	550	508	450	80	80	40	169 (216)	180 (205)	10	140
K243(4)7086	24	30" (40")	1470 (1720)	550	508	450	80	80	40	169 (216)	180 (205)	6	120
K363(4)7100	36	30" (40")	1470 (1720)	651	610	450	100	100	40	251 (324)	244 (278)	10	140
K363(4)7106	36	30" (40")	1470 (1720)	651	610	450	100	100	40	251 (324)	244 (278)	6	120
K483(4)7100	48	30" (40")	1470 (1720)	751	765	450	100	100	40	362 (470)	308 (350)	10	140
K483(4)7106	48	30" (40")	1470 (1720)	751	765	450	100	100	40	362 (470)	308 (350)	6	120



All information is given to the best of our knowledge. However, the validity of the information cannot be guaranteed for every application, working practice and operating condition. Misuse of the product will result in all warranties being voided. Reproduction, even in part, is permitted only with reference to the source. Subject to change in the interest of technical progress.

**LENNTECH**

info@lenntech.com

www.lenntech.com

Tel. +31-15-261.09.00

Fax. +31-15-261.62.89