



Alfa Laval WideGap 100

Gasketed plate-and-frame heat exchanger for fibrous fluids

Alfa Laval WideGap is used for fibrous liquids, for highly viscous fluids and for fluids containing coarse particles. The wide gaps between the plates, the plate pattern and the smooth port design allow fluids with fibres and particles to easily flow through the heat exchanger.

The available channel gap sizes for this model are:

- wide/wide 8/8 mm (0.31/0.31 inches)
- wide/narrow 11/5 mm (0.43/0.20 inches)

Applications

- Biotech and Pharmaceutical
- Chemicals
- Energy and Utilities
- Food and Beverages
- Mining, Minerals and Pigments
- Pulp and Paper
- Water and Waste treatment

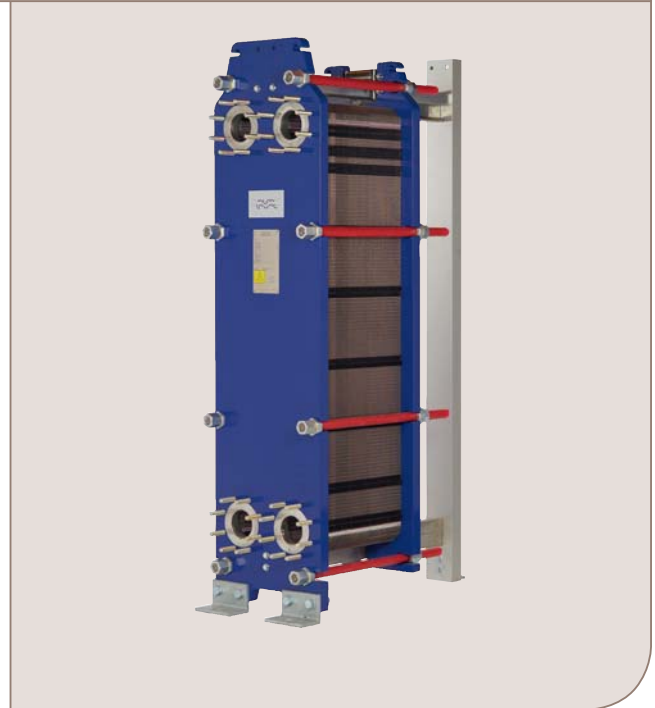
Benefits

- Maximum uptime for fouling applications
- High energy efficiency – low operating cost
- Flexible configuration – heat transfer area can be modified
- Easy to install – compact design
- High serviceability – easy to open for inspection and cleaning and easy to clean by CIP
- Access to Alfa Laval's global service network

Features

Every detail is carefully designed to ensure optimal performance, maximum uptime and easy maintenance. Selection of available features:

- 5-point alignment system
- Chocolate pattern distribution area
- Glued gasket
- ClipGrip™ gasket
- Leak chamber
- Fixed bolt head
- Key hole bolt opening
- Lifting lug
- Lining
- Lock washer
- Pressure plate roller
- Tightening bolt cover



Extending performance

with Alfa Laval 360° Service Portfolio

Our extensive services ensure top performance from your Alfa Laval equipment throughout its life cycle. The availability of parts and our team's commitment and expertise bring you peace of mind.

Start-up

- Installation
- Installation Supervision
- Commissioning

Maintenance

- Cleaning Services
- Reconditioning
- Repair
- Service Tools
- Spare Parts

Support

- Exclusive Stock
- Technical Documentation
- Telephone Support
- Training
- Troubleshooting

Improvements

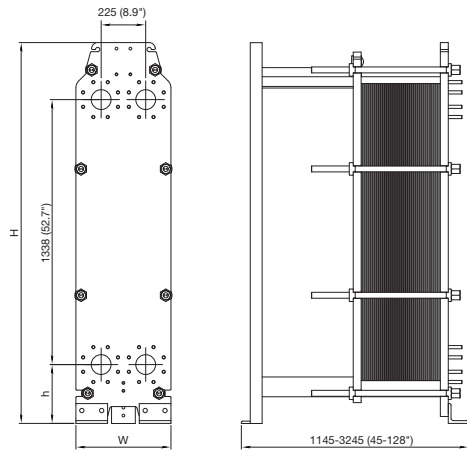
- Equipment Upgrades
- Redesign
- Replacement and Retrofit

Monitoring

- Condition Audit
- Performance Audit

Dimensional drawing

Measurements mm (inches)



Type	H	W	h
TL10-FM	1881 (74.0")	480 (18.9")	294.5 (10.0")
TL10-FG	1981 (78.0")	480 (18.9")	297 (11.7")

The number of tightening bolts may vary depending on pressure rating.

Technical data

Plates

Name	Type	Free channel, mm (inches)
TL10-S	Wide-gap	11 / 5 (0.43/0.20) wide/narrow 8 / 8 (0.31/0.31) wide/wide

Materials

Heat transfer plates	316/316L, 254 Ti
Field gaskets	NBR, EPDM, FKM
Flange connections	Metal lined: stainless steel, titanium
Frame and pressure plate	Carbon steel, epoxy painted

Other materials may be available on request.

All option combinations may not be configurable.

Operational data

Frame, PV-code	Max. design pressure (barg/psig)	Max. design temperature (°C/°F)
FM, pvcALS	10.3/150	180/356
FG, pvcALS	16.0/232	180/356
FG, ASME	10.3/150	250/482
FG, PED	16.0/232	180/356

Extended pressure and temperature rating may be available on request.

Flange connections

FM, pvcALS	EN 1092-1 DN100 PN10 ASME B16.5 Class 150 NPS 4 JIS B2220 10K 100A
FG, pvcALS	EN 1092-1 DN100 PN16 ASME B16.5 Class 150 NPS 4 JIS B2220 10K 100A JIS B2220 16K 100A
FG, ASME	ASME B16.5 Class 150 NPS 4
FG, PED	EN 1092-1 DN100 PN16 ASME B16.5 Class 150 NPS 4

Standard EN1092-1 corresponds to GOST 12815-80 and GB/T 9115.