

PolyNet™ PB

Disposable Filter Capsules



Fluid Purification

LENNTECH

info@lennotech.com Tel. +31-152-610-900

www.lennotech.com Fax. +31-152-616-289



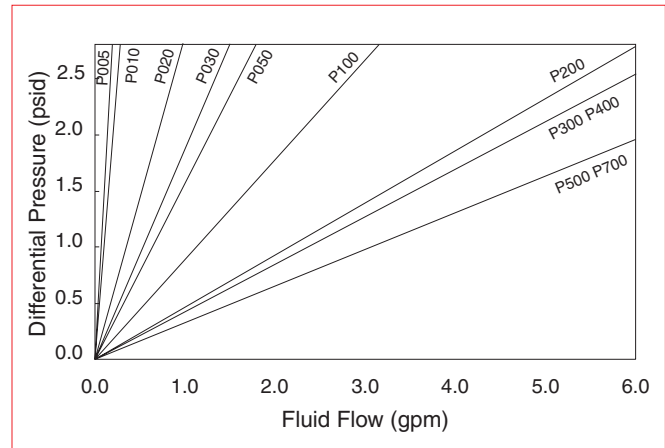
PolyNet PB capsule filters* are absolute rated and designed for critical, small volume filter applications in the pharmaceutical, fine chemical and microelectronics markets. Employing the innovative PolyNet filter construction, the PolyNet PB capsules provide enhanced flow, lower pressure drop, extended service life and lower total filtration costs. The all polypropylene PolyNet depth filter is constructed with a proprietary process that utilizes flow enhancing filter media and an innovative flow pattern. This unique design provides greater contaminant holding capacity at exceptional flow rates.

Benefits

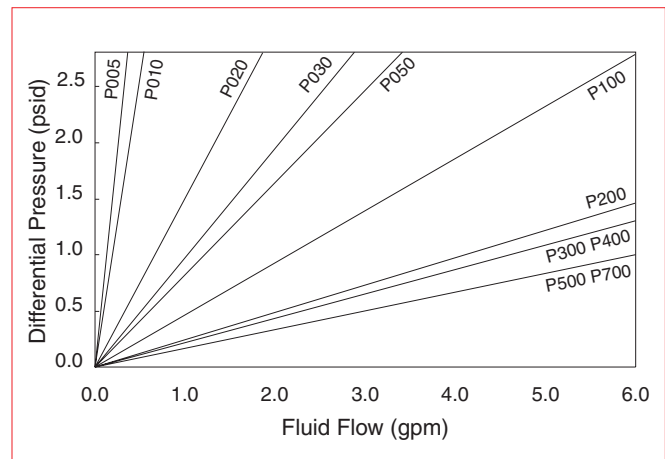
- Fast flow rates with high contaminant retention
- Sanitary vent and drain valves
- Low hold-up volume
- Exceptional chemical compatibility
- Meets USP Class VI Biological Tests for Plastics
- Constructed with FDA 21 CFR listed components
- Non-pyrogenic per USP Bacterial Endotoxins Test (< .25 EU/ml)
- Conductivity and Total Organic Carbon (TOC) - Meets requirements of USP Purified Water after flushing.
- Meets USP Particulates in Injectables limits, non-fiber releasing filter per 21 CFR
- Individual Certificate of Quality
- Regulatory Support File available

Flow Rates

The following are typical water flow rates for PolyNet PB capsules with 1/2" sanitary flange connections. Other end connections will affect maximum flow rates, see table below. Consult factory representative for flow rates of other end connections.



Flow Rates for 2 1/2" Capsules with 1/2" Sanitary Flanges @ 20°C



Flow Rates for 5" Capsules with 1/2" Sanitary Flanges @ 20°C

Maximum Recommended Flow by End Fitting

End Fitting	Maximum Recommended Flow Rate (gpm)	Housing Pressure Loss (psid)
1/2" Sanitary Flange	6.00	1.00
3/8" FNPT	6.00	1.00
1/2" Hose Barb	3.00	1.50
1/4" MNPT	1.50	2.40
Tapered Hose Barb	0.50	2.20

* US and Foreign patents pending.

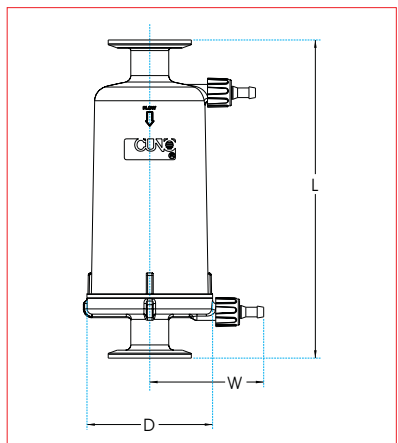
PolyNet PB Filter Capsule Specifications	
Materials of Construction	
Filter media, netting, core, end caps and capsule body	Polypropylene
Vent/drain O-rings	See ordering guide
Operating Conditions	
Maximum operating pressure	75 psig (5.2 bar) @ 104°F (40°C)
Maximum differential pressure	
Forward	35 psid at 104°F (2.4 bar at 40°C)
Recommended change-out differential pressure	35 psid at 104°F (2.4 bar at 40°C)
Sterilization	DO NOT <i>in-situ</i> STEAM
Autoclave	5 cycles maximum for 30 minutes at 259°F (126°C)

Nominal Capsule Dimensions						
	Nominal Length*	With End Connections* (inches)				
		A	B	C	D	E
Length (L)	01	5	5 1/2	5	5	5 1/4
	02	7 1/2	8	7 1/2	7 1/2	7 3/4
Diameter (D)	01	3				
	02					
Width to Vent (W)	01	2 3/4				
	02					
* See Ordering Guide						

WARRANTY

Seller warrants its equipment against defects in workmanship and material for a period of 12 months from date of shipment from the factory under normal use and service and otherwise when such equipment is used in accordance with instructions furnished by Seller and for purposes disclosed in writing at the time of purchase, if any. Any unauthorized alteration or modification of the equipment by Buyer will void this warranty. Seller's liability under this warranty shall be limited to the replacement or repair, F.O.B., point of manufacture, of any defective equipment or part which, having been returned to the factory, transportation charges prepaid, has been inspected and determined by Seller to be defective. THIS WARRANTY IS IN LIEU OF ANY OTHER WARRANTY, EITHER EXPRESSED OR IMPLIED, AS TO DESCRIPTION, QUALITY, MERCHANTABILITY, FITNESS FOR ANY PARTICULAR PURPOSE OR USE, OR ANY OTHER MATTER. Under no circumstances shall Seller be liable to Buyer or any third party for any loss of profits or other direct or indirect costs, expenses, losses or consequential damages arising out of or as a result of any defects in or failure of its products or any part or parts thereof or arising out of or as a result of parts or components incorporated in Seller's equipment but not supplied by the Seller.

Your Local CUNO Distributor is:



PolyNet PB Filter Capsule Ordering Guide

Cartridge Type	Grade		Configuration	Nominal Length	End Connection	Vent O-ring Option	Packaging Option
	Code	Rating (µm)					
NT	P005	0.5	C = Capsule	01 = 2 1/2"	A = 1 1/2" sanitary flange B = 1/2" (14mm) hose barb C = 1/4" MNPT D = 3/8" FNPT E = 1/4" - 3/16" - 3/8" tapered hose barb	A = Silicone B = Fluorocarbon C = EPR	01 = single pack 03 = 3 pack 20 = 20 pack
	P010	1.0					
	P020	2.0					
	P030	3.0					
	P050	5.0					
	P100	10					
	P200	20					
	P300	30					
	P400	40					
	P500	50					
P700	70						

Service Worldwide



Fluid Purification

LENNTECH

info@lenntech.com Tel. +31-152-610-900

www.lenntech.com Fax. +31-152-616-289

NTP005C01A	NTP005C01B	NTP005C01C	NTP005C01D	NTP005C01E
NTP010C01A	NTP010C01B	NTP010C01C	NTP010C01D	NTP010C01E
NTP020C01A	NTP020C01B	NTP020C01C	NTP020C01D	NTP020C01E
NTP030C01A	NTP030C01B	NTP030C01C	NTP030C01D	NTP030C01E
NTP050C01A	NTP050C01B	NTP050C01C	NTP050C01D	NTP050C01E
NTP100C01A	NTP100C01B	NTP100C01C	NTP100C01D	NTP100C01E
NTP200C01A	NTP200C01B	NTP200C01C	NTP200C01D	NTP200C01E
NTP300C01A	NTP300C01B	NTP300C01C	NTP300C01D	NTP300C01E
NTP400C01A	NTP400C01B	NTP400C01C	NTP400C01D	NTP400C01E
NTP500C01A	NTP500C01B	NTP500C01C	NTP500C01D	NTP500C01E
NTP700C01A	NTP700C01B	NTP700C01C	NTP700C01D	NTP700C01E
NTP005C02A	NTP005C02B	NTP005C02C	NTP005C02D	NTP005C02E
NTP010C02A	NTP010C02B	NTP010C02C	NTP010C02D	NTP010C02E
NTP020C02A	NTP020C02B	NTP020C02C	NTP020C02D	NTP020C02E
NTP030C02A	NTP030C02B	NTP030C02C	NTP030C02D	NTP030C02E
NTP050C02A	NTP050C02B	NTP050C02C	NTP050C02D	NTP050C02E
NTP100C02A	NTP100C02B	NTP100C02C	NTP100C02D	NTP100C02E
NTP200C02A	NTP200C02B	NTP200C02C	NTP200C02D	NTP200C02E
NTP300C02A	NTP300C02B	NTP300C02C	NTP300C02D	NTP300C02E
NTP400C02A	NTP400C02B	NTP400C02C	NTP400C02D	NTP400C02E
NTP500C02A	NTP500C02B	NTP500C02C	NTP500C02D	NTP500C02E
NTP700C02A	NTP700C02B	NTP700C02C	NTP700C02D	NTP700C02E