

The ME Multi Series bag filter housings are constructed from 316 L or 304 stainless steel and are manufactured in accordance with design and construction code EN13445 Group 3.

They have a maximum operating pressure of 10 bar g and a maximum operating temperature of 90 °C.

The ME Multi Series housings are fully compliant with the European Pressure Equipment Directive (PED) and are available in a variety of sizes to accommodate 3, 4, 6, 8 or 12 bag filters or DuoFLO™ cartridges, in either of two lengths (Sizes 1 or 2).

Pressure Equipment Directive 97/23/CE

ME Multi Series housings are built to PED 97/23/CE Category 3.3 “Sound Engineering Practice” as standard. The vessel designs have been developed so that they can be manufactured for the highest demanding applications - Group 1 (Hazardous Gas) - upon request from existing and known production documentation. All dimensions remain as shown here.

ATEX Directive 94/9/CE

The ME Multi Series housings are not ATEX approved as standard. They can be approved for use in ATEX condition 11/2/G/T5 upon request.

Please consult your local 3M Purification representative for any other classification or further information.

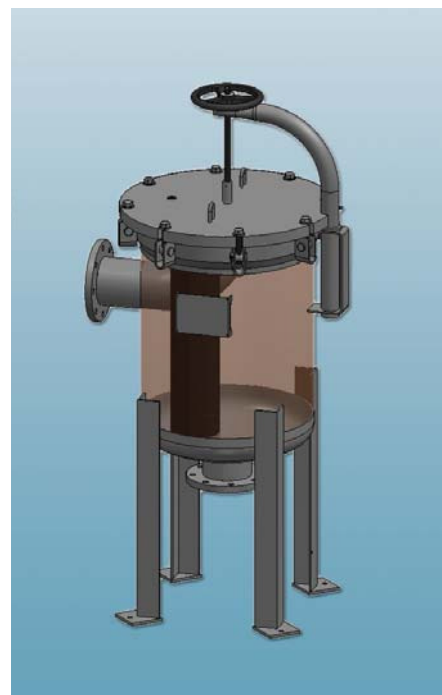


Table 1 : Housing Specifications

Model	Number of Filter Elements	Material	Connections types	Vent/Gauge Size (BSPT)	Maximum Flow Rate (m³/hr)
03 MEB	3	304L or	DN100	½"	120
04 MEB	4		DN150	1"	160
06 MEB	6	316L Stainless Steel	DN150	1"	240
08 MEB	8		DN200	1"	320
12 MEB	12		DN250	1"	480

Closure Type is Bolted.

The Maximum Operating Pressure Range is from -1 to +10 bar g.

The Operating Temperature Range is from 0 to 90 °C.

Standard Gasket Material is Nitrile (others are available as accessories)

Table 2 : Dimensions in mm *

	03 MEB		04 MEB	06 MEB	08 MEB	12 MEB
	#1	#2	#2	#2	#2	#2
H - Clearance	1250	1970	2160	2170	2300	2500
B - Overall Unit Height	1260	1610	1903	1925	2016	2220
C - Floor to Outlet	300		450	450	550	650
A - Floor to Inlet	660	1000	1185	1190	1233	1405
G1	400		470	580	630	700
G2	294		370	420	470	560

* Dimensions are for overall space requirements only. For all other uses, request a certified drawing.

Applications

Industrial Processes

- Parts Washers, Coolants, Cooling Water

Water Treatment

- Pre-RO, Waste Water

Refining

- Amine, Final Products

Petrochemicals

- Bulk Solids Removal

Chemicals

- Product Trans

Electronics

- Pre-RO

Paint & Coatings

- Phosphate E-Coat

Food & Beverage

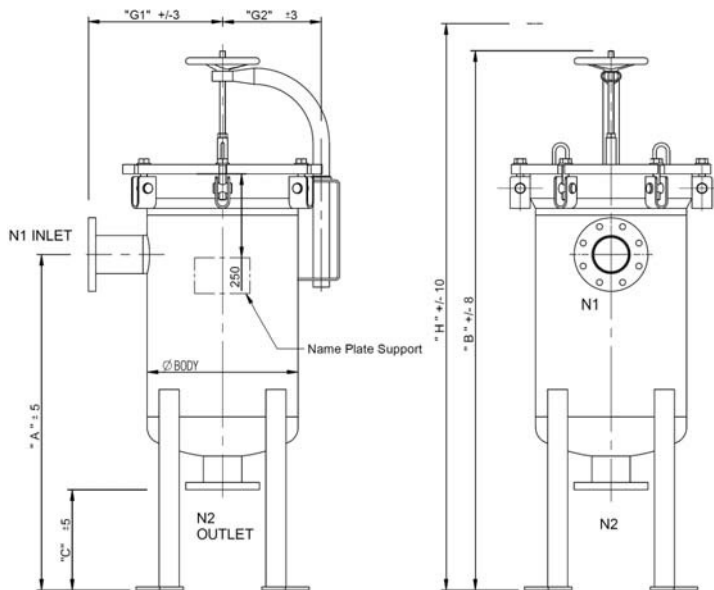
- Process Water, Edible Oils

Pharmaceutical

- Bulk Chemicals

3M Housings ME Multi Series

For Multi Bag Filters



Spare Parts Part Numbers					
ME Housing Type	03	04	06	08	12
Nitrile Gaskets	FD000114922	FD000114948	FD000114955	FD000114963	FD000114971
Element/Bag Type	Size #1		Size #2		
Filter Bag Basket (316L)	FD000108783		FD000108791		
DuoFLO™ Element Basket (316L)	JN720019460		JN720019452		
Locking Handle	FD000114542				

Ordering Guide ME Multi Series Range

Number of Elements	Type of Housing	Bag Size	Range	Housing Material	Gasket Material	Surface Finish	Type of Connection	Outlet	Option Elbow Bottom Outlet
03	MEB	1 2	V = Vertical	4 = 304L 6 = 316L	NB = Nitrile*	F0 = Acid Pickle Passivated/Glass Bead Blasted	GM = 2" Male (BSP) BP = Flanged (ISO PN16)	D = Bottom Outlet	N = None
04 06 08 12	MEB	2	V = Vertical	4 = 304L 6 = 316L	NB = Nitrile*	F0 = Acid Pickle Passivated/Glass Bead Blasted	BP = Flanged (ISO PN16)	D = Bottom Outlet	N = None

Example Part Number: Multi Bag (#2) Housing: 06MEB2V6NBF0BPDN

* For other Gasket Materials, please contact a 3M Purification representative

Important Notice

3M Purification MAKES NO WARRANTIES, EXPRESS OR IMPLIED, INCLUDING, BUT NOT LIMITED TO, ANY IMPLIED WARRANTY OF MERCHANTABILITY OR FITNESS FOR A PARTICULAR PURPOSE. Since a variety of factors can affect the use and performance of a 3M Purification product in a particular application, some of which are uniquely within the user's knowledge and control, user is responsible for determining whether or not the 3M Purification product is fit for a particular purpose and suitable for user's method of application.

Limitation of Remedies and Liability

If the 3M Purification product is proved to be defective, THE EXCLUSIVE REMEDY, AT 3M PURIFICATION'S OPTION, SHALL BE TO REFUND THE PURCHASE PRICE OR TO REPAIR OR REPLACE THE DEFECTIVE PRODUCT. 3M shall not otherwise be liable for loss or damages, whether direct, indirect, special, incidental or consequential, regardless of the legal theory asserted, including, but not limited to, contract, negligence, warranty or strict liability.

WARRANTY

Seller warrants its equipment against defects in workmanship and material for a period of 12 months from date of shipment from the factory under normal use and service and otherwise when such equipment is used in accordance with instructions furnished by Seller and for purposes disclosed in writing at the time of purchase, if any. Any unauthorized alteration or modification of the equipment by Buyer will void this warranty. Seller's liability under this warranty shall be limited to the replacement or repair, F.O.B. point of manufacture, of any defective equipment or part which, having been returned to the factory, transportation charges prepaid, has been inspected and determined by the Seller to be defective. THIS WARRANTY IS IN LIEU OF ANY OTHER WARRANTY, EITHER EXPRESSED OR IMPLIED, AS TO DESCRIPTION, QUALITY, MERCHANTABILITY, FITNESS FOR ANY PARTICULAR PURPOSE OR USE, OR ANY OTHER MATTER. Under no circumstances shall Seller be liable to Buyer or any third party for any loss of profits or other direct or indirect costs, expenses, losses or consequential damages arising out of or as a result of any defects in or failure of its products or any part or parts thereof or arising out of or as a result of parts or components incorporated in Seller's equipment but not supplied by the Seller.



LENNTECH

info@lenntech.com Tel. +31-152-610-900
www.lenntech.com Fax. +31-152-616-289

Data may be subject to change without further notice.

© 3M 2010. All rights reserved.

DOC10037
LITHSMEM1.E - 0510

03MEB14NBF0GMDN
03MEB14NBF0BPDN
03MEB16NBF0GMDN
03MEB16NBF0BPDN
03MEB24NBF0GMDN
03MEB24NBF0BPDN
03MEB26NBF0GMDN
03MEB26NBF0BPDN
04MEB24NBF0BPDN
04MEB26NBF0BPDN
06MEB24NBF0BPDN
06MEB26NBF0BPDN
08MEB24NBF0BPDN
08MEB26NBF0BPDN
12MEB24NBF0BPDN
12MEB26NBF0BPDN

