

The 08 IP sanitary housings are constructed from 316L stainless steel and have pressure and temperature ratings that ensure they are compatible with most process applications. Interior and exterior surfaces are polished and crevice-free.

The 08" IP housings are suitable for lenticular filters such as 3M™ ZetaPlus™ and are ideally suited to small scale production or pilot plant development.

The range provides solutions for 8" diameter cartridges with options for 1, 2, 3 or 4. Requested options are catered for and non standard requirements could be met with demountable adaptors.

Pressure Equipment Directive 97/23/CE

The 08 IP housings are built to PED 97/23/CE Category 3.3 "Sound Engineering Practice" as standard.

The 08 IP housings are not to be used with any gas or vapour (Group 1 or 2) application.

ATEX Directive 94/9/CE

08 IP housings are approved for ATEX condition II/2/G/T5 as standard.

The user of these housings must ensure that they are used in accordance with the requirements of these PED and ATEX directives at all times. Please consult your local 3M Purification representative for any other classification or further information.



Features and Benefits

316L stainless steel construction

- Provides excellent corrosion protection for rugged, long-lasting service.

Optimum quality standards at competitive costs

- Ensure the most appropriate housing is available at the right price.

State of the art design, engineering and manufacturing

- Provides flexibility in surface finish specifications, housing sizes and connection options.

Range of heights

- Offers flexibility to meet specific process capacities.

Housing Type Specifications	8 IP
Design Code	AD Merkblätter 95
Housing Material (in contact)	316L (1.4404) Stainless Steel
Surface Finish	F3 : Mechanical Polish < 0.8 micron Ra F4 : Mechanical Polish < 0.4 micron Ra
Closure	Clamped
Diameter	8 inch
Standard Gasket Material	Silicone (others on request)
Number of Cartridges	1, 2, 3 and 4 high
Connection Sizes	T1 : Triclover 1.5"
Vent Connections	½" TC
Maximum Operating Pressure	Up to 8 bar g depending on operating temperature and classification of process fluid
Maximum Operating Temperature	Up to 150 °C depending on operating pressure and classification of process Fluid
PED 97/23/CE	Article 3.3 only
ATEX 94/9/CE	II/2/G/T5

Applications

Pharmaceutical

BioPharmaceutical

Cosmetics

Food and Beverage

Electronics

Chemicals

3M Housings IP 8" Series

For Lenticular Cartridge Filters

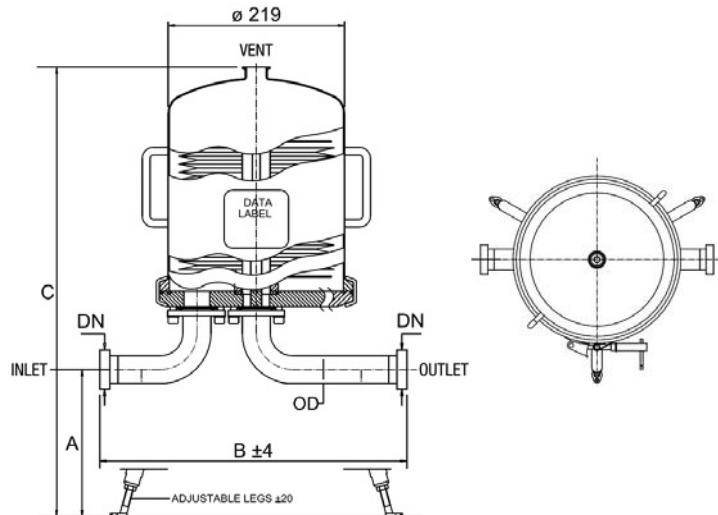
Table 2: Dimensions

Housing Model	No. of Modules	C (mm)		B (mm)		A - Inlet/outlet to floor (mm)		OD (mm)	Sump Weight (kg)	Total Nett Weight (kg)	Total Weight Packed (kg)	Packaging Size (cm) 45x33x	Total Volume (litre)
		Top to floor	Inlet to outlet	T1	T1	T1	T1						
8 IPC 1	1	805	406	345		38.1		5	21	24	84	18.5	
8 IPC 2	2	975	406	345		38.1		7	25.5	30	101	20.5	
8 IPC 3	3	1148	406	345		38.1		9	30	36	118	22.5	
8 IPC 4	4	1315	406	345		38.1		11	34.5	42	135	24.5	

Table 3: PED Specification Data

08IP Vessels: Maximum Permissible Operating Pressures and Temperatures					
For 0 - 40 Degrees C					
Vessel Height		1	2	3	4
Volume (Litres)		10	20	29	38
Group 1 (Hazardous)	Liquid	8	8	8	8
Group 1 (Hazardous)	Gas / Vapour	08 IP NOT to be used for Gas / Vapour Applications			
Group 2 (Other)	Liquid	8	8	8	8
Group 2 (Other)	Gas / Vapour	08 IP NOT to be used for gas / Vapour Applications			
For 41 - 150 Degrees C					
Vessel Height		1	2	3	4
Volume (Litres)		10	20	29	38
Group 1 (Hazardous)	Liquid	4	4	4	4
Group 1 (Hazardous)	Gas / Vapour	08 IP NOT to be used for Gas / Vapour Applications			
Group 2 (Other)	Liquid	4	4	4	4
Group 2 (Other)	Gas / Vapour	08 IP NOT to be used for Gas / Vapour Applications			

Note: If in any doubt please ask your local 3M purification representative for confirmation of your process classification.



Ordering Guide 08 IP Range

Modular Diameter	Product Type	Closure Type	Modular Quantity	Inlet/Outlet	PED	Surface Finish
08 (8" / 219 mm)	IP	C (Clamped)	1 2 3 4	T1 (Triclover DN 1.5")	0 (Article 3.3)	F3 (Mechanical Polished <0.8 µm Ra) F4 (Mechanical Polished <0.4 µm Ra)

Important Notice

3M Purification MAKES NO WARRANTIES, EXPRESS OR IMPLIED, INCLUDING, BUT NOT LIMITED TO, ANY IMPLIED WARRANTY OF MERCHANTABILITY OR FITNESS FOR A PARTICULAR PURPOSE. Since a variety of factors can affect the use and performance of a 3M Purification product in a particular application, some of which are uniquely within the user's knowledge and control, user is responsible for determining whether or not the 3M Purification product is fit for a particular purpose and suitable for user's method of application.

Limited Warranty

3M Purification warrants this product to be free from defects in material and workmanship during normal use for a period of one (1) year from the date of shipment from the factory. If the Product(s) is (are) defective within this warranty period, your exclusive remedy and 3M Purification's sole obligations shall be, at 3M Purification's option, to replace or repair the Product(s) or refund the original purchase price of the Product(s). This warranty does not apply to failures that result from abuse, misuse, alteration or damage not caused by 3M Purification or failure to properly follow installation and use instructions.

Limitation of Liability: 3M Purification will not be liable for any loss or damage arising from the use of the Product(s), whether direct, indirect, special, incidental, or consequential, regardless of the legal theory asserted, including warranty, contract, negligence or strict liability. Some states do not allow the exclusion or limitation of incidental or consequential damages, so the above limitation may not apply to you.

This warranty gives you specific legal rights and you may have other rights which vary from state to state, or country to country.



LENNTECH

info@lennotech.com Tel. +31-152-610-900
www.lennotech.com Fax. +31-152-616-289

3M and Zeta Plus are trademarks of 3M used under licence.

Data may be subject to change without further notice.

© 3M 2010. All rights reserved.

v.2 DOC10036
LITHSIP81.EU - 0810

08 IPC 1 T1 0 F3
08 IPC 1 T1 0 F4
08 IPC 2 T1 0 F3
08 IPC 2 T1 0 F4
08 IPC 3 T1 0 F3
08 IPC 3 T1 0 F4
08 IPC 4 T1 0 F3
08 IPC 4 T1 0 F4