

The HC filter housings are constructed from 316 L or 304 stainless steel and manufactured in accordance to design and construction code EN13445 Group 3. They have a maximum pressure rating design of 10 bar g and can be used in temperatures up to 90 °C.

The HC Series filter housings are fully compliant with the European Pressure Equipment Directive (PED) and are available in a variety of sizes to accommodate 1, 3, 5 or 7 of 3M™ 700 Series filter cartridges, in either of two available lengths.

Pressure Equipment Directive 97/23/CE

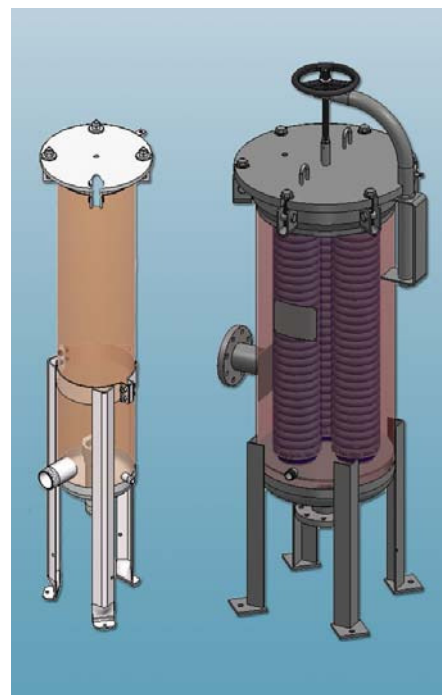
HC vessels are built to PED 97/23/CE Category 3.3 “Sound Engineering Practice” as standard. The vessel designs have been developed so that they can be manufactured for the highest demanding applications - Group 1 (Hazardous Gas) - upon request from existing and known production documentation. All dimensions remain as shown here.

ATEX Directive 94/9/CE

The HC housings are not ATEX approved as standard.

They can be approved for use in ATEX condition 11/2/G/T5 upon request.

The user of these housings must ensure that they are used in accordance with the requirements of these PED and ATEX directives at all times. Please consult your local 3M Purification representative for any other classification or further information.



Model	Number of Filter Cartridges	Material	Connections types	Drain Size (BSPT)	Vent Size (BSPT)	Maximum Flow Rate (m ³ /hr)
01 HCB	1	304L	2" BSP Male	1/2"	1/4"	18
03 HCB	3	or 316L	DN80	1"	1/2"	54
05 HCB	5	Stainless Steel	DN100	1"	1/2"	90
07 HCB	7	Steel	DN150	2"	1"	126

The Maximum Operating Pressure Range is from -1 to +10 bar g.
The Operating Temperature Range is from 0 to 90 °C.

	Model							
	01 HCB		03 HCB		05 HCB		07 HCB	
	#1 ²	#2 ²	#1 ²	#2 ²	#1 ²	#2 ²	#1 ²	#2 ²
H - Clearance	1690 ¹	2190 ¹	2400	2920	2130	2650	2240	2760
B - Overall Unit Height	955	1215	1650	1910	1760	2020	1940	2200
C - Floor to Outlet	445 ¹	455 ¹	300		350		450	
A - Floor to Inlet	645 ¹	645 ¹	800		850		950	
G1			345		350		410	
G2			294		320		370	

* Dimensions are for overall space requirements only. For all other uses, request a certified drawing.
¹ Maximum dimension
² #1 = height of cartridge is 28 3/4", #2 = height of cartridge is 39"

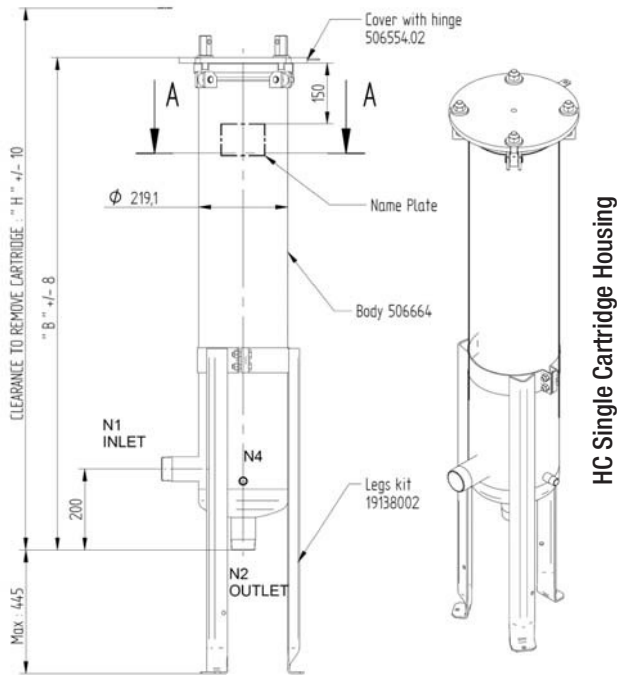
Applications

Prefilters or final filters for:

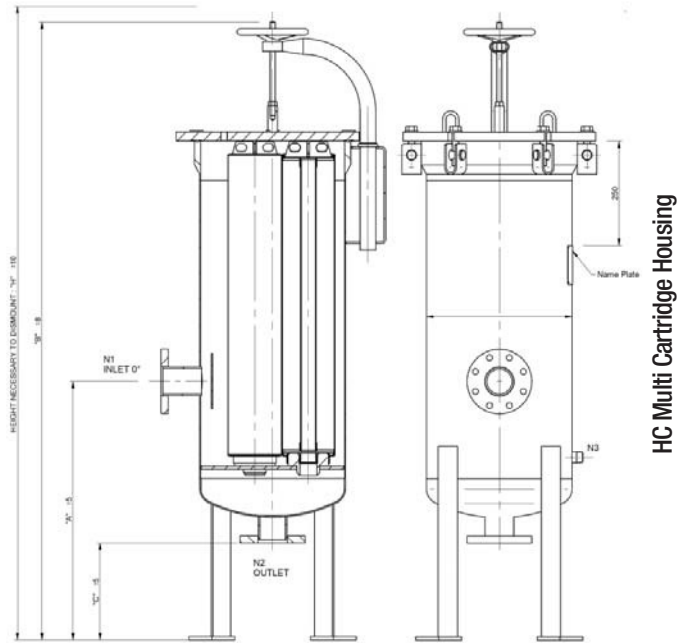
- Acids and bases
- Amines
- Beer and wine
- Bottled water
- Carbon beds solvents
- Completion fluids
- Deep wells
- RO membranes
- DI resins
- Edible oils
- EDM fluids
- Ultrapure water
- Fructose
- Wastewater
- Glycol
- Waterflood
- Groundwater clean-up
- Workover fluids
- Laundry water
- Liquor
- Machine coolants
- Magnetic media
- Makeup water
- Organic
- Photo chemicals
- Plating solutions
- Desalination
- UF membranes
- Storm water

3M Housings HC Series

For 700 Series Filter Elements



HC Single Cartridge Housing



HC Multi Cartridge Housing

Ordering Guide HC Housing Range

Number of Elements	Type of Housing	Type of Cover	Cartridge Size	Range	Housing Material	Gasket Material	Surface Finish	Type of Connection	Outlet	Outlet Option
01	HC	B = Bolted	1 2	V = Vertical	4 = 304L 6 = 316L	NB = Nitrile*	FO = Acid Pickle Passivated/Glass Bead Blasted	GM = 2" Male (BSP)	D = Bottom Outlet	N = None
03 05 07	HC	B = Bolted	1 2	V = Vertical	4 = 304L 6 = 316L	NB = Nitrile*	FO = Acid Pickle Passivated/Glass Bead Blasted	BP = Flanged (ISO PN16)	D = Bottom Outlet	N = None

Example Part Number: Single Cartridge (28 3/4") Housing: 01HCB1V4NBF0GMDN

Multi Cartridge (39") Housing: 07HCB2V6NBF0BPDN

* For other Gasket Materials, please contact a 3M Purification representative.

Important Notice

3M Purification MAKES NO WARRANTIES, EXPRESS OR IMPLIED, INCLUDING, BUT NOT LIMITED TO, ANY IMPLIED WARRANTY OF MERCHANTABILITY OR FITNESS FOR A PARTICULAR PURPOSE. Since a variety of factors can affect the use and performance of a 3M Purification product in a particular application, some of which are uniquely within the user's knowledge and control, user is responsible for determining whether or not the 3M Purification product is fit for a particular purpose and suitable for user's method of application.

Limitation of Remedies and Liability

If the 3M Purification product is proved to be defective, THE EXCLUSIVE REMEDY, AT 3M PURIFICATION'S OPTION, SHALL BE TO REFUND THE PURCHASE PRICE OR TO REPAIR OR REPLACE THE DEFECTIVE PRODUCT. 3M shall not otherwise be liable for loss or damages, whether direct, indirect, special, incidental or consequential, regardless of the legal theory asserted, including, but not limited to, contract, negligence, warranty or strict liability.

WARRANTY

Seller warrants its equipment against defects in workmanship and material for a period of 12 months from date of shipment from the factory under normal use and service and otherwise when such equipment is used in accordance with instructions furnished by Seller and for purposes disclosed in writing at the time of purchase, if any. Any unauthorized alteration or modification of the equipment by Buyer will void this warranty. Seller's liability under this warranty shall be limited to the replacement or repair, F.O.B. point of manufacture, of any defective equipment or part which, having been returned to the factory, transportation charges prepaid, has been inspected and determined by the Seller to be defective. THIS WARRANTY IS IN LIEU OF ANY OTHER WARRANTY, EITHER EXPRESSED OR IMPLIED, AS TO DESCRIPTION, QUALITY, MERCHANTABILITY, FITNESS FOR ANY PARTICULAR PURPOSE OR USE, OR ANY OTHER MATTER. Under no circumstances shall Seller be liable to Buyer or any third party for any loss of profits or other direct or indirect costs, expenses, losses or consequential damages arising out of or as a result of any defects in or failure of its products or any part or parts thereof or arising out of or as a result of parts or components incorporated in Seller's equipment but not supplied by the Seller.



LENNTECH

info@lennotech.com Tel. +31-152-610-900
www.lennotech.com Fax. +31-152-616-289

Data may be subject to change without further notice.

© 3M 2010. All rights reserved.

DOC10038
LITHSHC1.E - 0510

01HCB1V4NBf0gmdn
01HCB1V6NBf0gmdn
01HCB2V4NBf0gmdn
01HCB2V6NBf0gmdn

03HCB1V4NBf0bpdn
03HCB1V6NBf0bpdn
03HCB2V4NBf0bpdn
03HCB2V6NBf0bpdn

05HCB1V4NBf0bpdn
05HCB1V6NBf0bpdn
05HCB2V4NBf0bpdn
05HCB2V6NBf0bpdn

07HCB1V4NBf0bpdn
07HCB1V6NBf0bpdn
07HCB2V4NBf0bpdn
07HCB2V6NBf0bpdn

